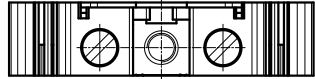
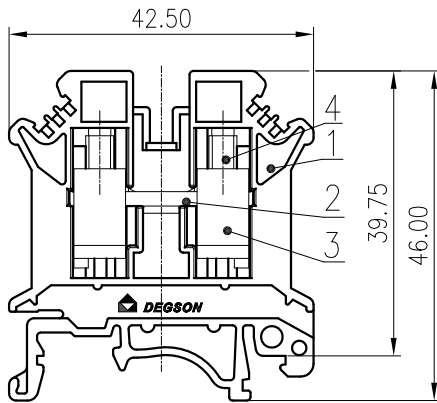


General tolerances(mm)													D 0.1/10	
0 ~ 3	>3 ~ 6	>6 ~ 10	>10 ~ 18	>18 ~ 30	>30 ~ 50	>50 ~ 80	>80 ~ 120	>120 ~ 180	>180 ~ 250	>250 ~ 315	>315 ~ 400	>400 ~ 500		>500
±0.12	±0.18	±0.22	±0.26	±0.31	±0.37	±0.57	±0.80	±0.93	±1.05	±1.15	±1.60	±2.20	±2.50	±2'

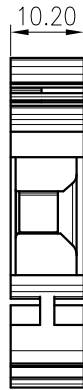
A



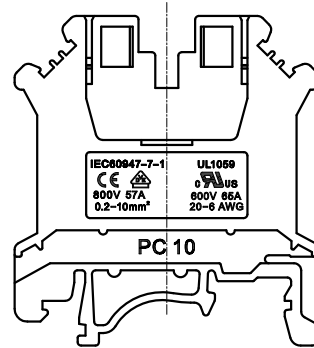
B



C



D



A

B

C

D

4	Screw	Copper Alloy	M4\Ni Plated
3	Cage	Copper Alloy	M4\Ni Plated
2	Current carrier	Copper	Sn Plated
1	Housing	PA66	UL94V-0

ITEM	NAME OF PART	MATERIAL	NOTES
UL Standard:			
Rated Voltage(V)/Current(A)		B 600/65	C 600/65
		D 600/5	
IEC Standard:			
Overvoltage Category		III/3	/
Pollution Degree		/	/
Rated Voltage(V)/Current(A)		800/57	/
Rate Impulse Voltage(KV)		8.0	/
Torque Tightening(N·m/Lb.in)		M4, 1.2/10.53	
Wire Range(rigid and flexible)(mm²/AWG)		0.2~10/ 10-20(Sol/Str)&6-8(Str)	
Pitch(mm)		10.20	
Stripping length(mm)		10-12	
Operating temperature(°C)		-40~+105	
Conform to RoHS		Yes	
Standard color number:		/	
PANTONE / RAL		/	

MATERIAL:	SURFACE:		
MAT NO.:	/		
STATUS:	/		
APPD: Li GL 2020.06.04	NAME:		
CHKD: Mao J 2020.06.04	PC10-01P-1Y-00A(H)		
DRFT: LXX 2017.12.25	DRAWING NO.:	PC10-C01	REV: T1
⊕	SIZE: A4	TYPE: CUSTOMER DRAWING	SHEET: 1/1

REV	ECN	DESCRIPTION	DRFT	DATE