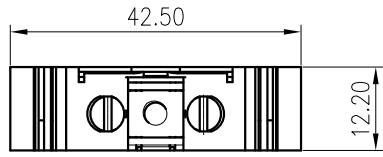
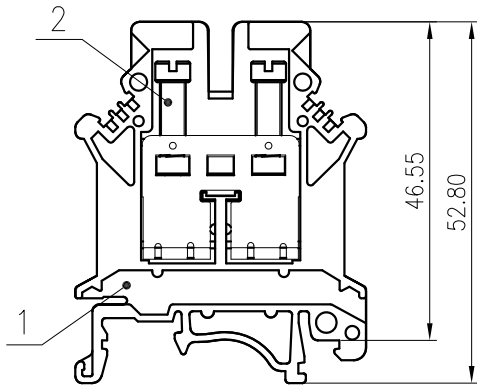


General tolerances(mm)											0.1/10 ±2'		
0 ~ 3	>3 ~ 6	>6 ~ 10	>10 ~ 18	>18 ~ 30	>30 ~ 50	>50 ~ 80	>80 ~ 120	>120 ~ 180	>180 ~ 250	>250 ~ 315		>315 ~ 400	>400 ~ 500
±0.12	±0.18	±0.22	±0.26	±0.31	±0.37	±0.57	±0.80	±0.93	±1.05	±1.15	±1.60	±2.20	±2.50

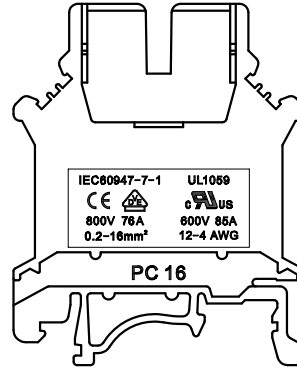
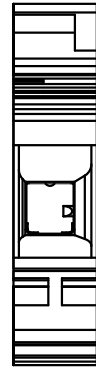
A



B



C



D

2	Hardware	Copper Alloy	Ni plated
1	Housing	PA66	UL94V-0
ITEM	NAME OF PART	MATERIAL	NOTES
UL Standard:		B	C
Rated Voltage(V)/Current(A)		600/85	600/85
IEC Standard:		D	
Overvoltage Category		III/3	/
Pollution Degree		/	/
Rated Voltage(V)/Current(A)		800/76	/
Rate Impulse Voltage(KV)		8.0	/
Torque Tightening(N·m/Lb.in)		M4, 1.2/10.53	
Wire Range(rigid and flexible)(mm²/AWG)		0.2~16/ 10-12(Sol/Str)&4-8(Str)	
Pitch(mm)		12.20	
Stripping length(mm)		12-13	
Operating temperature(°C)		-40~+105	
Conform to RoHS		Yes	
Standard color number:		/	
PANTONE / RAL		/	

MATERIAL:	SURFACE:		
MAT NO.:	/		
STATUS:	/		
APPD: Li GL 2020.06.04	NAME: PC16-01P-1Y-00A(H)		
CHKD: Mao J 2020.06.04	DRAWING NO.: PC16-C01		
DRFT: Feng X 2020.05.27	REV	TO	
⊕	SIZE: A4	TYPE: CUSTOMER DRAWING	SCALE: 1:1 SHEET 1/1

REV	ECN	DESCRIPTION	DRFT	DATE