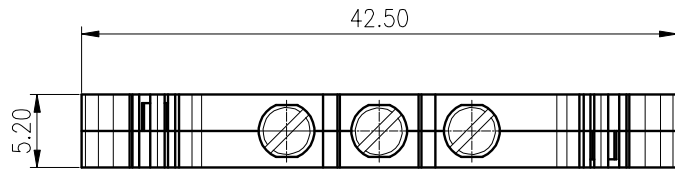
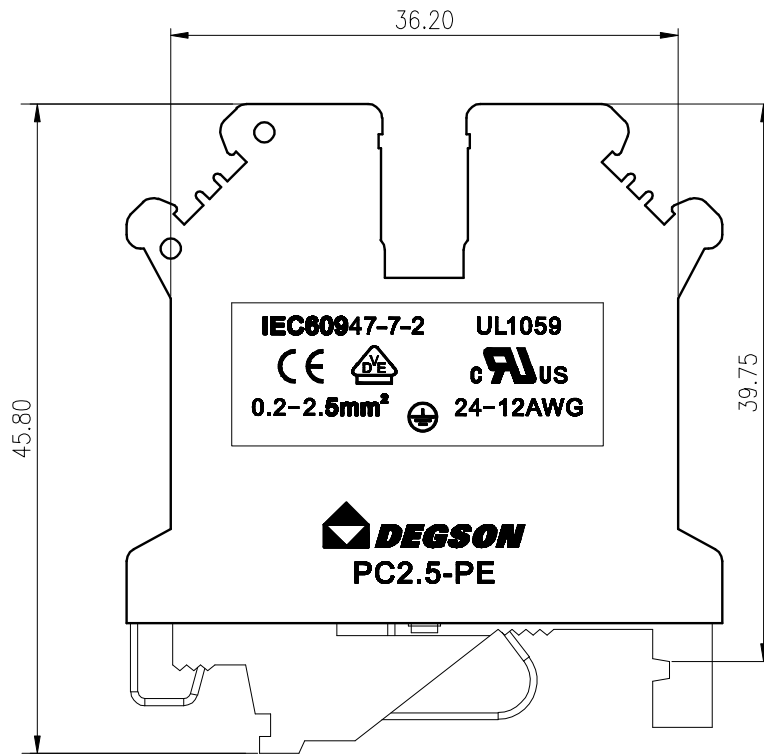


General tolerances(mm)											0.1/10 ±Z		
0	>3	>5	>10	>18	>30	>50	>80	>120	>180	>250		>315	>400
±0.12	±0.18	±0.22	±0.26	±0.31	±0.37	±0.57	±0.80	±0.93	±1.05	±1.15	±1.60	±2.20	±2.50

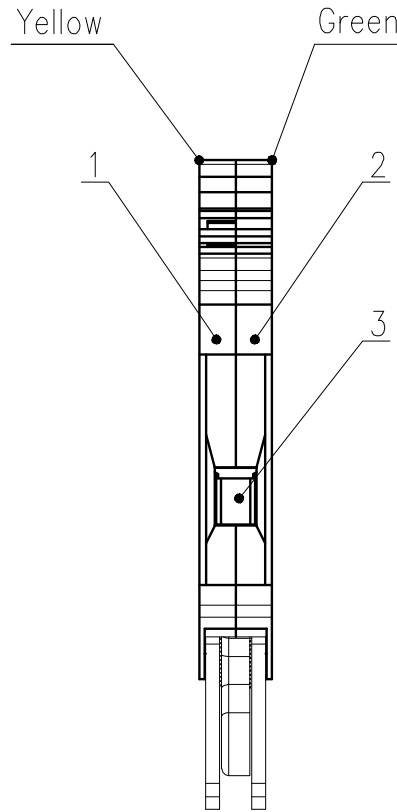
A



B



C



D

UL Standard:	B	C	D
Rated Voltage(V)/Current(A)	/	/	/
IFC Standard:			
Overvoltage Category	III/3	/	/
Pollution Degree			
Rated Voltage(V)/Current(A)	/	/	/
Rate Impulse Voltage(KV)	8.0	/	/
Torque Tightening(N·m/Lb.in)	M3, 0.5/4.5		
Wire Range(rigid and flexible)(mm²/AWG)	0.2~2.5/24~12		
Pitch(mm)	5.2		
Stripping length(mm)	9~10		
Operating temperature(°C)	-40~+105		
Conform to RoHS	Yes		
Standard color number:	/		
PANTONE / RAL	/		

MATERIAL: /	SURFACE: /		
MAT NO.: /	NINGBO DEGSON ELECTRICAL CO., LTD		
STATUS: /			
APPD: Li GL 2020.04.02	NAME: PC2.5-PE-01P-1Y-00A(H)		
CHKD: Mao J 2020.04.02	DRAWING NO.: PC2.5-PE-C01		
DRFT:Wang LX 2020.04.02	REV T1		

3	Ground contact		
2	Housing 2	PA66	UL94V-0
1	Housing 1	PA66	UL94V-0

ITEM	NAME OF PART	MATERIAL	NOTES	REV	ECN	DESCRIPTION	DRFT	DATE	SIZE: A4	TYPE: CUSTOMER DRAWING	SCALE: 2:1	SHEET	1/1
------	--------------	----------	-------	-----	-----	-------------	------	------	----------	------------------------	------------	-------	-----