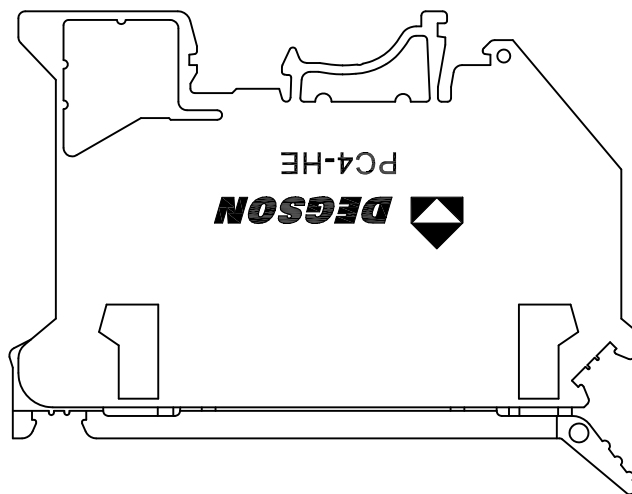


REVISION RECORD				
REV	ECN	DESCRIPTION	DRFT	DATE



NOTES1:

- UL Standard
 1. Rated voltage/current : 600V / 12A
 2. Withstanding voltage : AC2200V/1Min.
 3. Torque value : M3 , 4.43Lb.in
 4. Wire range : 26~10AWG

IEC Standard

1. Pollution Degree	3
Overtoltage Category	III
Rate Impulse Voltage(KV)	8.0KV
Rate Voltage(V)	800V
Rate Current(A)	6.3A

2. Torque value : M3 , 0.5N·m
 3. Wire range : 0.2~4mm²

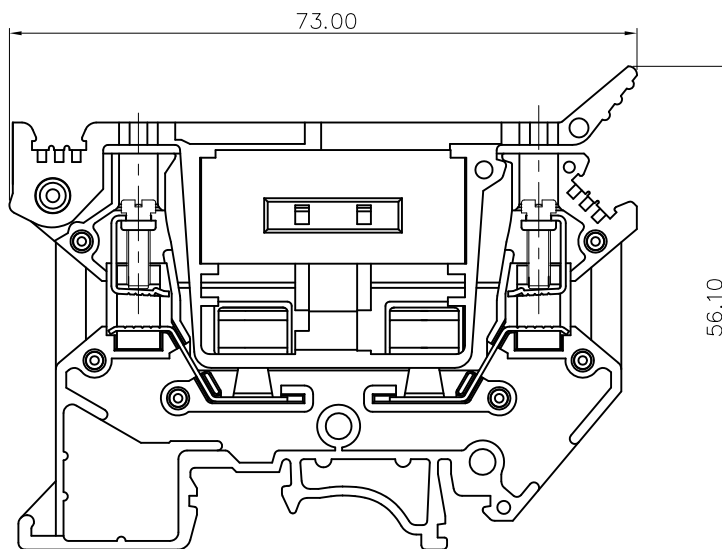
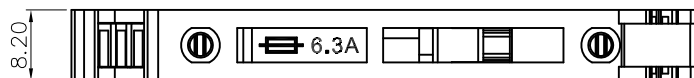
NOTES2:

1. Dimension shall be interpreted per ASME Y14.5-2009
 2. Pitch : 8.20mm, Poles : N=01P
 3. Stripping length : 8~9mm
 4. Operating temperature: -40°C~+105°C
 5. Undimensioned tolerances:

Pitch range in mm		Nominal dimension range in mm				0.1/10
TO	Over TO	Over TO	Over TO	Over TO		
6	6 TO 10	10 TO 24	30 TO 60	60 TO 100	100 TO 150	±2'
	±0.15	±0.20	±0.30	±0.30	±0.50	±0.70
				±1.00	±1.30	

6. RoHS Compliance

PC4-HE - 01P - 1Y - 00A (H)
 (Series No.) (Poles)(Single Pitch) (Color): 1.(Grey)
 2.(Blue)
 3.(Black)
 4.(Green)
 5.(Orange)
 6.(Red)
 7.(Transparent)
 8.(Yellow)
 9.(White)



DETACHED LISTS	PART NO.: /	DEGSON DEGSON GERMANY GmbH			
	APPD: /	NAME: PC4-HE			
	CHKD: /	TITLE: CUSTOMER DRAWING			
	DRFT: /	DRAWING NO.: /		REV	DO
	 THIRD ANGLE PROJECTION		MM (INCH)	DO NOT SCALE DRAWING	SCALE 1:1