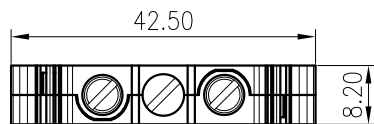
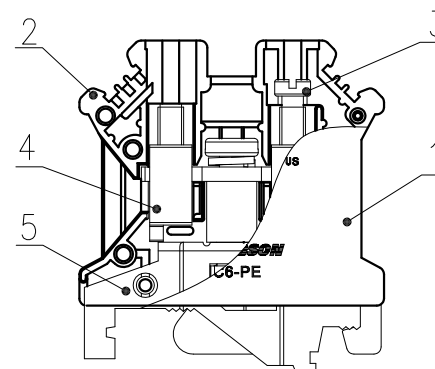
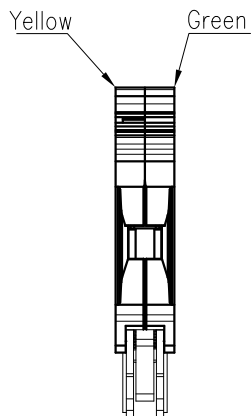
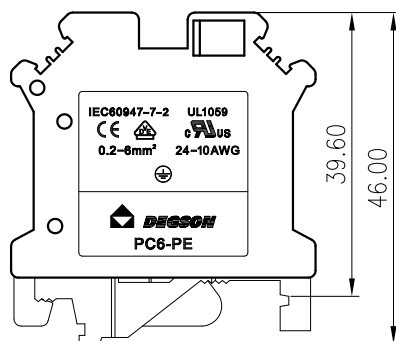


General tolerances(mm)													0.1/10
0	>3	>6	>10	>18	>30	>50	>80	>120	>180	>250	>315	>400	
~3	~6	~10	~18	~30	~50	~80	~120	~180	~250	~315	~400	~500	
±0.12	±0.18	±0.22	±0.26	±0.31	±0.37	±0.57	±0.80	±0.93	±1.05	±1.15	±1.60	±2.20	±2.50

A



B



C

UL Standard:	B	C	D
Rated Voltage(V)/Current(A)	/	/	/
IEC Standard:			
Overvoltage Category	III/3	/	/
Pollution Degree	/	/	/
Rated Voltage(V)/Current(A)	/	/	/
Rate Impulse Voltage(KV)	8.0	/	/
Torque Tightening(N·m/Lb.in)	M4, 1.2/10.53		
Wire Range(rigid and flexible)(mm ² /AWG)	0.2~6.0/10~24		
Pitch(mm)	8.20		
Stripping length(mm)	8-9		
Operating temperature(°C)	-40~+105		
Conform to RoHS	Yes		
Standard color number:	/		
PANTONE / RAL	/		

D

ITEM	NAME OF PART	MATERIAL	NOTES
5	Ground contact		
4	Cage	Copper Alloy	M4/Ni Plated
3	Screw	Copper Alloy	M4/Ni Plated
2	Housing2	PA66	UL94V-0
1	Housing1	PA66	UL94V-0

REV	ECN	DESCRIPTION	DRFT	DATE

MATERIAL:	SURFACE:		
MAT NO.:	/		
STATUS:	/		
APPD: Li GL 2020.06.04	NAME: DEGSON ® NINGBO DEGSON ELECTRICAL CO., LTD		
CHKD: Mao J 2020.06.04	PC6-PE		
DRFT: LIUM 2005.11.16	DRAWING NO.:	PC6-PE-C01	REV T1
⊕	SIZE: A4	TYPE: CUSTOMER DRAWING	SCALE: X:X SHEET 1/1