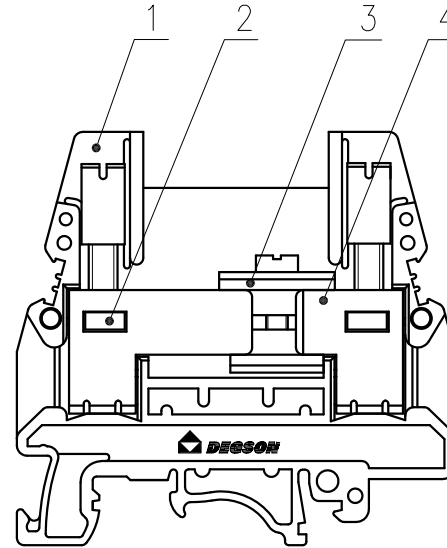
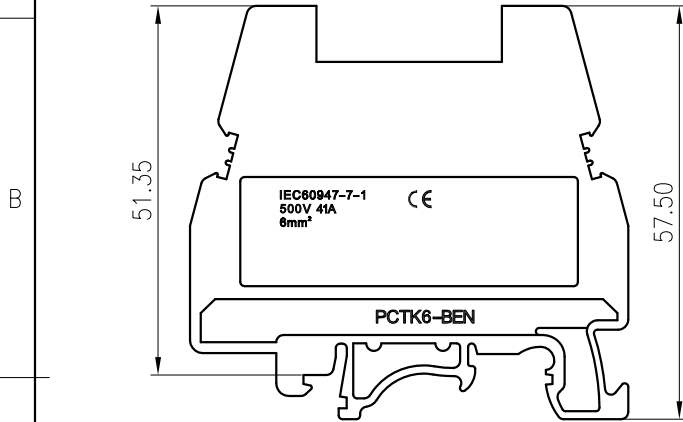
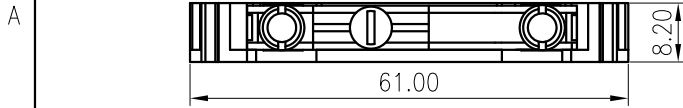


General tolerances(mm)													0.1/10 ±2'
0 ~ 3	>3 ~ 6	>6 ~ 10	>10 ~ 18	>18 ~ 30	>30 ~ 50	>50 ~ 80	>80 ~ 120	>120 ~ 180	>180 ~ 250	>250 ~ 315	>315 ~ 400	>400 ~ 500	
±0.12	±0.18	±0.22	±0.26	±0.31	±0.37	±0.57	±0.80	±0.93	±1.05	±1.15	±1.60	±2.20	±2.50



UL Standard:	B	C	D
Rated Voltage(V)/Current(A)	300/40	/	/
IFC Standard:			
Overvoltage Category	III/3	/	/
Pollution Degree			
Rated Voltage(V)/Current(A)	500/41	/	/
Rate Impulse Voltage(KV)	6.0	/	/
Torque Tightening(N·m/Lb.in)	M4, 1.2/10.53		
Wire Range(rigid and flexible)(mm²/AWG)	0.5~6/26~10		
Pitch(mm)	8.20		
Stripping length(mm)	12-13		
Operating temperature(°C)	-40~+105		
Conform to RoHS	Yes		
Standard color number: PANTONE / RAL	/		

C

D

4	Right Subassembly	Copper Alloy	Ni Plated
3	Contact Hardware	Copper Alloy	Ni Plated
2	Left Subassembly	Copper Alloy	Ni Plated
1	Housing	PA66	UL94V-0

ITEM	NAME OF PART	MATERIAL	NOTES
------	--------------	----------	-------

REV	ECN	DESCRIPTION	DRFT	DATE
-----	-----	-------------	------	------

MATERIAL:	SURFACE:		
MAT NO.:	/		
STATUS:	/		
APPD: Li GL 2020.06.04	NAME: DEGSON® DEGSON GERMANY GmbH		
CHKD: Mao J 2020.06.04	PCTK6-BEN		
DRFT: Feng X 2020.05.27	DRAWING NO.: PCTK6-BEN-C01	REV	TO
SIZE: A4	TYPE: CUSTOMER DRAWING	SCALE: 1:1	SHEET 1/1