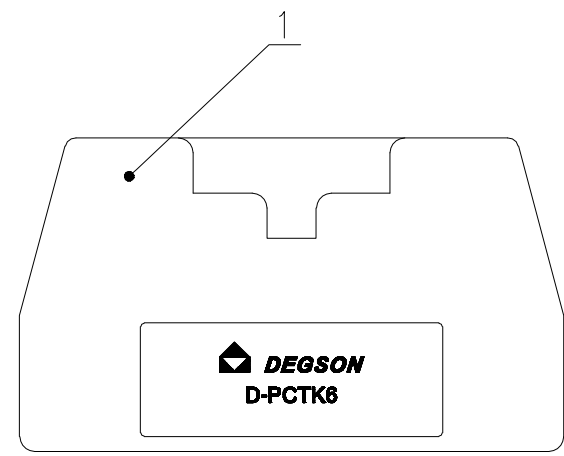
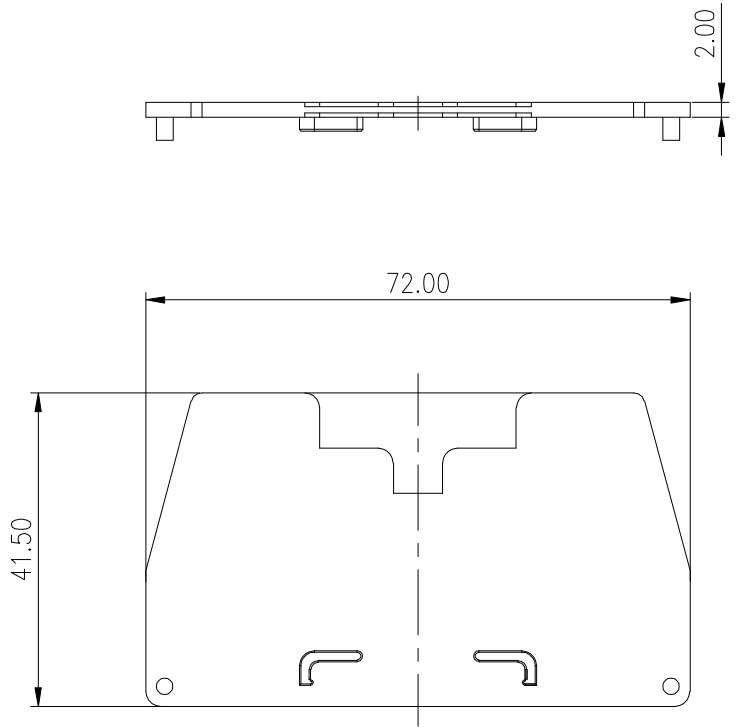


A

B


C

D



|             |              |               |                |                |                |                |                 |                  |                  |                  |                  |                  |
|-------------|--------------|---------------|----------------|----------------|----------------|----------------|-----------------|------------------|------------------|------------------|------------------|------------------|
| 0<br>~<br>3 | >3<br>~<br>6 | >6<br>~<br>10 | >10<br>~<br>18 | >18<br>~<br>30 | >30<br>~<br>50 | >50<br>~<br>80 | >80<br>~<br>120 | >120<br>~<br>180 | >180<br>~<br>250 | >250<br>~<br>315 | >315<br>~<br>400 | >400<br>~<br>500 |
| ±0.1<br>2   | ±0.1<br>8    | ±0.2<br>2     | ±0.2<br>6      | ±0.3<br>1      | ±0.3<br>7      | ±0.5<br>7      | ±0.8<br>0       | ±0.9<br>3        | ±1.0<br>5        | ±1.1<br>5        | ±1.6<br>0        | ±2.2<br>0        |

|                           |              |          |
|---------------------------|--------------|----------|
| 1                         | Cover        | PA66     |
| ITEM                      | NAME OF PART | MATERIAL |
| Operating temperature(°C) |              | -40      |
| Conform to RoHS           |              |          |
| Standard color number:    |              |          |
| PANTONE / RAL             |              |          |

|                          |  |
|--------------------------|--|
| MATERIAL: /              | SURFACE: /   |
| MAT NO.: /               |  <b>DEGSON GERMANY GmbH</b> |
| STATUS: /                |  |
| APPD: Li GL 2020.06.01   |  |
| CHKD: Mao J 2020.06.01   |  |
| DRFT:Wang LX 2020.06.01  | NAME: D-PCTK6  |
| DRAWING NO.: D-PCTK6-C01 |  |

|     |     |             |      |      |          |              |                        |            |
|-----|-----|-------------|------|------|----------|--------------|------------------------|------------|
| REV | ECN | DESCRIPTION | DRFT | DATE | SIZE: A4 | mm<br>(inch) | TYPE: CUSTOMER DRAWING | SCALE: 1:1 |
|-----|-----|-------------|------|------|----------|--------------|------------------------|------------|

1

2

3

4

5

6