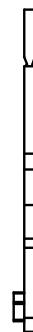
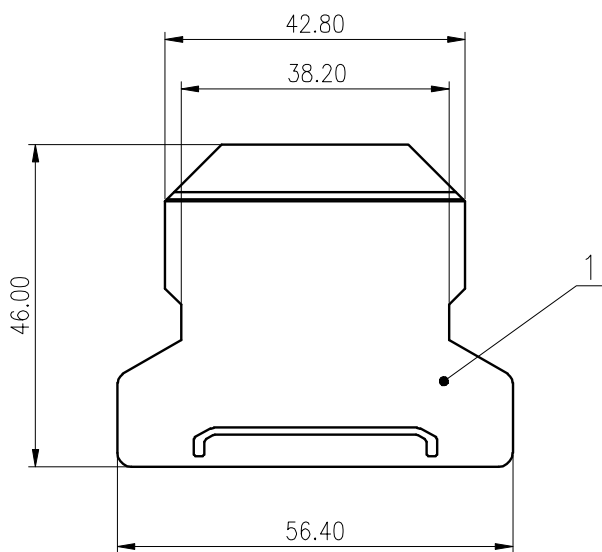
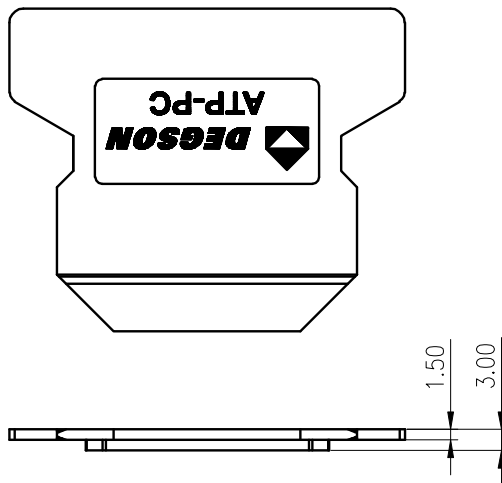


/General tolerances(mm)												0.1/10 ±2'		
0 ~ 3	>3 ~ 6	>6 ~ 10	>10 ~ 18	>18 ~ 30	>30 ~ 50	>50 ~ 80	>80 ~ 120	>120 ~ 180	>180 ~ 250	>250 ~ 315	>315 ~ 400		>400 ~ 500	>500
±0.12	±0.18	±0.22	±0.26	±0.31	±0.37	±0.57	±0.80	±0.93	±1.05	±1.15	±1.60	±2.20	±2.50	



1	Cover	PA66	UL94V-0
ITEM	NAME OF PART	MATERIAL	NOTES
	/Operating temperature(°C)		-40~+105
	/Conform to RoHS		Yes
	/Standard color number:		
PANTONE	RAL		/

MATERIAL: /	SURFACE: /		
MAT NO.: /	NINGBO DEGSON ELECTRICAL CO., LTD		
STATUS: /			
APPD: Li GL 2020.05.21	NAME: ATP-PC-01P-1Y-00A(H)		
CHKD: Mao J 2020.05.21	DRAWING NO.: ATP-PC-C01		
DRFT: Wang LX 2020.05.21	REV	TO	
SIZE: A4 TYPE: CUSTOMER DRAWING SCALE: 1:1 SHEET	1/1		

REV	ECN	DESCRIPTION	DRFT	DATE