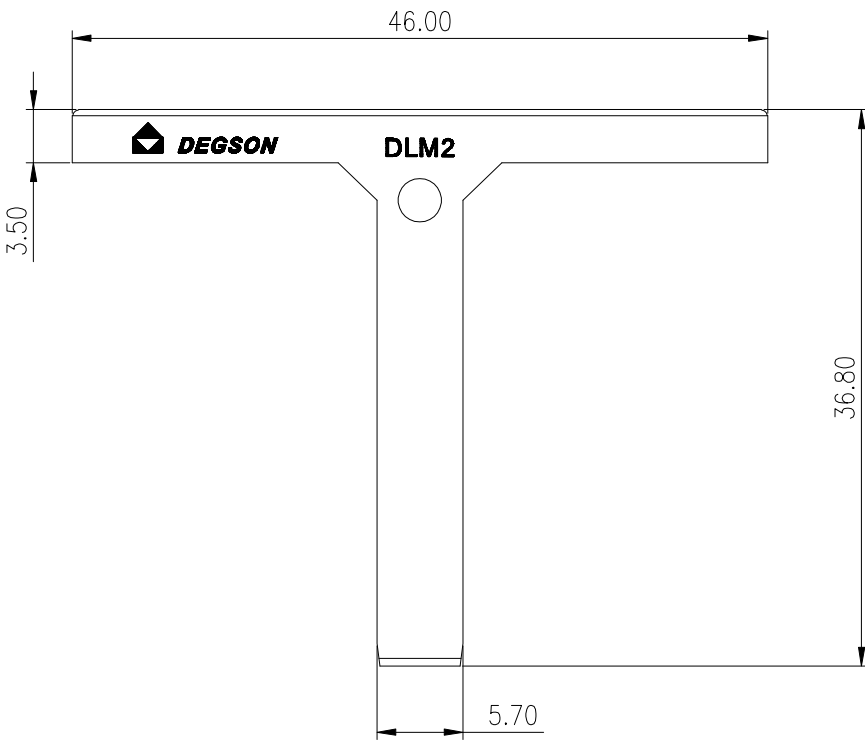


A

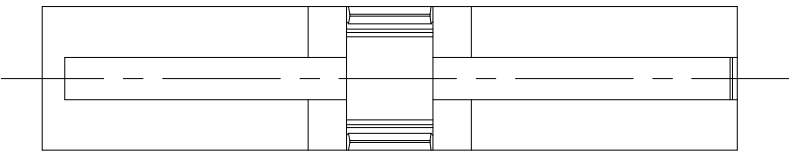
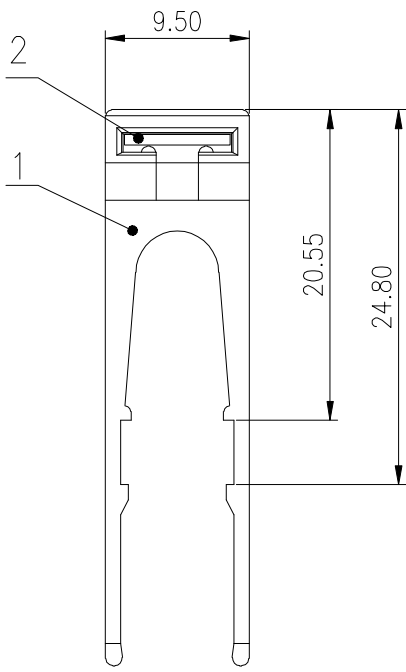
B

C

D



0 ~ 3	>3 ~ 6	>6 ~ 10	>10 ~ 18	>18 ~ 30	>30 ~ 50	>50 ~ 80	>80 ~ 120	>120 ~ 180	>180 ~ 250	>250 ~ 315	>315 ~ 400	>400 ~ 500
±0.1 2	±0.1 8	±0.2 2	±0.2 6	±0.3 1	±0.3 7	±0.5 7	±0.8 0	±0.9 3	±1.0 5	±1.1 5	±1.6 0	±2.2 0



2	DLM2-Label	
1	DLM2-Housing	PC
ITEM	NAME OF PART	MATERIAL
Operating temperature(°C)		-40
Conform to RoHS		
/Standard color number:		
PANTONE / RAL		

MATERIAL:	/	SURFACE:	/	
MAT NO.:	/	NINGBO DEGSON ELECTRICA		
STATUS:	/			
APPD: Li GL 2020.05.21	NAME:			DLM2-01P-1Y-00A(H)
CHKD: Mao J 2020.05.21	DRAWING NO.:			DLM2-C01
DRFT:Wang LX 2020.05.21	TYPE: CUSTOMER DRAWING	SCALE: 2:1	SH	

REV	ECN	DESCRIPTION	DRFT	DATE
-----	-----	-------------	------	------

1

2

3

4

5

6