

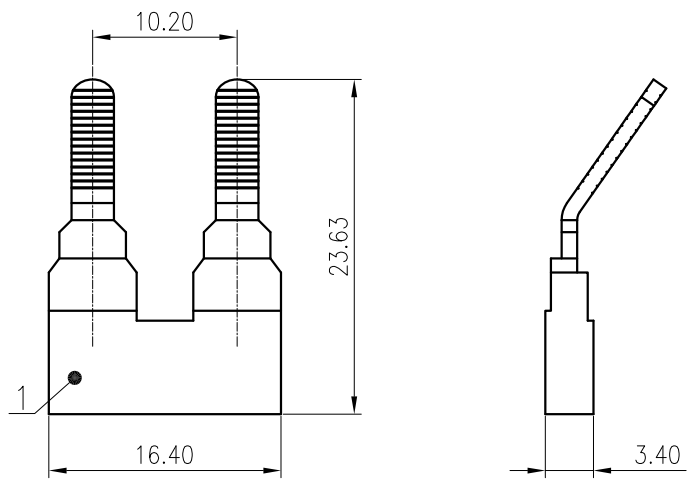
| General tolerances(mm) | | | | | | | | | | | 0.1/10 ±2' | | |
|------------------------|-------|-------|-------|-------|-------|-------|-------|-------|-------|-------|---------------|-------|-------|
| 0 | >3 | >6 | >10 | >18 | >30 | >50 | >80 | >120 | >180 | >250 | | >315 | >400 |
| ~3 | ~6 | ~10 | ~18 | ~30 | ~50 | ~80 | ~120 | ~180 | ~250 | ~315 | ~400 | ~500 | >500 |
| ±0.12 | ±0.18 | ±0.22 | ±0.26 | ±0.31 | ±0.37 | ±0.57 | ±0.80 | ±0.93 | ±1.05 | ±1.15 | ±1.60 | ±2.20 | ±2.50 |

A

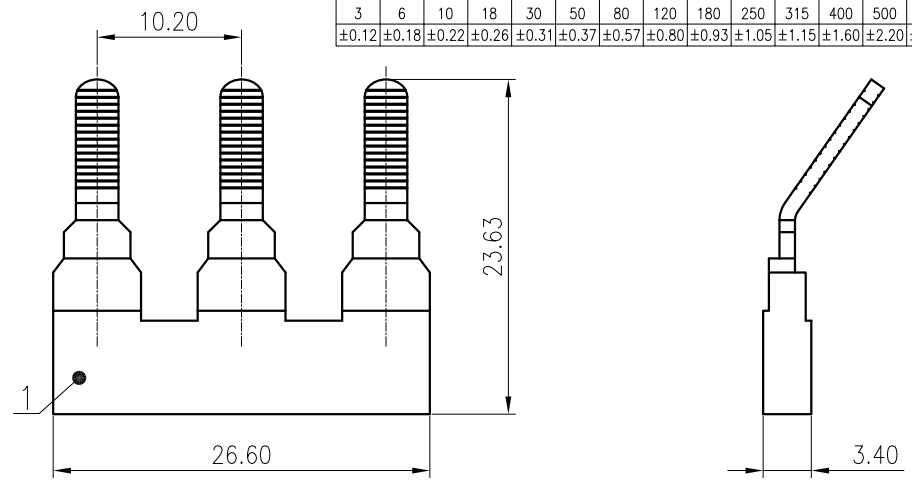
A

B

B



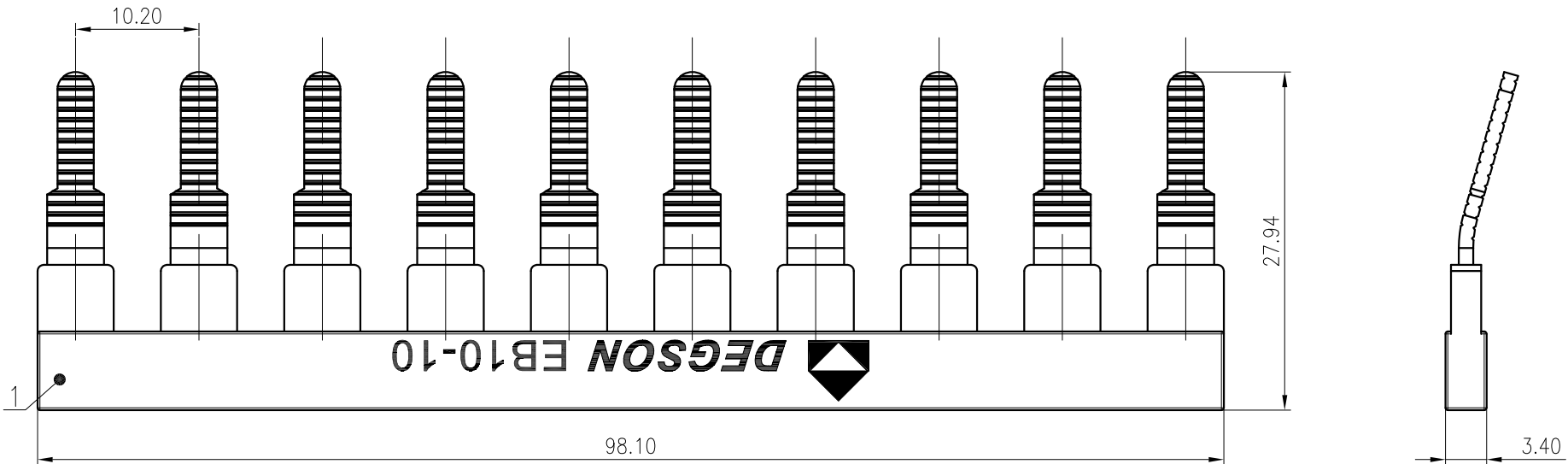
02P



03P

C

C



10P

D

D

| | | |
|--|-----------------------------------|-----------|
| MATERIAL: / | SURFACE: / | |
| MAT NO.: / | NINGBO DEGSON ELECTRICAL CO., LTD | |
| STATUS: / | | |
| APPD: Li GL 2020.06.10 | NAME: EB10-10-1Y-00A(H) | |
| CHKD: Mao J 2020.06.10 | DRAWING NO.: EBXX-10-C01 | |
| DRFT: Chen K 2020.06.03 | REV | TO |
| SIZE: A4 TYPE: CUSTOMER DRAWING | SCALE: 2:1 | SHEET 1/1 |

| 1 | Bridge | | |
|------|---------------------------|--------------------|-------|
| ITFM | NAME OF PART | MATERIAL | NOTES |
| | Pitch(mm)/ Poles | 10.2/N=02P,03P,10P | |
| | Operating temperature(°C) | -40~+105 | |
| | Conform to RoHS | Yes | |

| REV | ECN | DESCRIPTION | DRFT | DATE |
|-----|-----|-------------|------|------|
| | | | | |