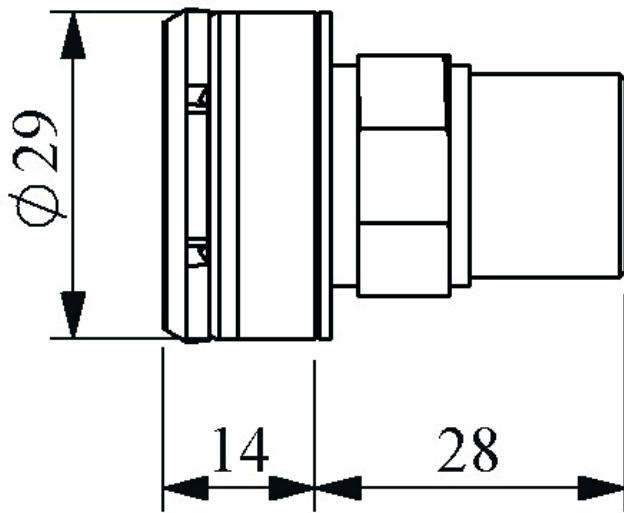




Product		RJ45
Type		Female Female
Dia		22 mm
Current	Ie	1,5 A
Dielectric Strength (Body-Contact)		1000 Vrms
Dielectric Strength (Contact-Contact)		1000 Vrms
Isolation esistance		500 MΩ
Operating emperature		-25 / + 85 °C
Pollution Degee		3
Protection Degee		IP65
Contact Resistance		50 mΩ
Durability		500
Serial		B Series Plastc
Specificaations		Non-flammable V0 PA6.6
		IP65 protection fom front side





Montage scale $\phi 22.4 \pm 0.2$ mm

