



# IF SERIES

## IF SERIES MULTI COLOUR BEACONS WITH Ø 22 MM CONNECTION, IP65

- Single body, multi colour • Ø22 mm Connection • Flashing and normal LED mode available • 90 dB Buzzer



IF5M

IF5T024ZM05 IF6P024WM05



IFAB03

IFAB01

IKAM02

IKAD03

CODE	ILLUMINATION	FEATURES	NOMINAL VOLTAGE	BOX/PCS
IF5024XM05	LED	Single Colour	24V AC/DC	1
IF5024XR05	LED	Single Colour, Rotational	24V AC/DC	1
IF5024ZM05	LED	Single Colour, With Buzzer	24V AC/DC	1
IF5024ZR05	LED	Single Colour, With Buzzer, Rotational	24V AC/DC	1
IF5220XM05	LED	Single Colour	220V AC	1
IF5220XR05	LED	Single Colour, Rotational	220V AC	1
IF5220ZM05	LED	Single Colour, With Buzzer	220V AC	1
IF5220ZR05	LED	Single Colour, With Buzzer, Rotational	220V AC	1
IF5M012XM05	LED	5 Colours	12V AC/DC	1
IF5M012ZM05	LED	5 Colours, With Buzzer	12V AC/DC	1
IF5M024XM05	LED	5 Colours	24V AC/DC	1
IF5M024ZM05	LED	5 Colours, With Buzzer	24V AC/DC	1
IF5M110XM05	LED	5 Colours	110V AC	1
IF5M110ZM05	LED	5 Colours, With Buzzer	110V AC	1
IF5M220XM05	LED	5 Colours	220V AC	1
IF5M220ZM05	LED	5 Colours, With Buzzer	220V AC	1
IF5P024XM05	LED	Single Module 5 Color, for PNP application	24V AC/DC	1
IF5P024ZM05	LED	Single Module 5 Color, for PNP application, with Buzzer	24V AC/DC	1
IF5P024XM05	LED	Single Module 5 Color, for NPN application	24V DC	1
IF5P024ZM05	LED	Single Module 5 Color, for NPN application, with Buzzer	24V DC	1
IF5T024XM05	LED	3 Layers in Single Body, 3 Colours, PLC Harmonized	24V AC/DC	1
IF5T024ZM05	LED	3 Layers in Single Body, 3 Colours, PLC Harmonized+with Buzzer	24V AC/DC	1
IF6P024WM05	LED	PLC Harmonized, 5 Colours, with Self-Adjusted Buzzer	24V AC/DC	1
IFAB01		Pipe Adaptation Part, Silver		1
IFAB03		Pipe Adaptation Part, Black		1
IKAD03		Adjustable, wall support, with tube, (usable with IFAB's)		1
IKAM02		20 mm aluminium with base (usable with IFAB01)		1



R: Red, G: Green, Y: Yellow, B: Blue, W: White



# Selection Table

IF	5	M	024	X	M03	-1
Series	Diameter	Type	Voltage	Buzzer	Connection	Cable Length
<p><b>IF</b> Series Multi Colour Beacons IP65</p>	<p><b>5</b> Ø55 Diameter</p> <p><b>6</b> Ø65 Diameter</p>	<p><b>M</b> Multifunction</p> <p><b>P</b> PLC in sync</p> <p><b>R</b> Red</p> <p><b>Y</b> Yellow</p> <p><b>G</b> Green</p> <p><b>W</b> White</p> <p><b>B</b> Blue</p>	<p><b>024</b> 024V AC/DC</p> <p><b>220</b> 220V AC</p>	<p><b>X</b> w/o Buzzer</p> <p><b>W</b> Buzzer with Sensitive to Sound</p> <p><b>Z</b> With Buzzer</p>	<p><b>M02</b> 20mm Aluminium Base</p> <p><b>M03</b> 100mm Aluminium Base</p> <p><b>M04</b> 500mm Aluminium Base</p> <p><b>M05</b> M22X1,5 Connection</p> <p><b>D01</b> Wall Base</p> <p><b>D02</b> Adjustable Base</p>	<p><b>-1</b> 1 meter Cable</p> <p><b>-2</b> 2 meter Cable</p> <p><b>-3</b> 3 meter Cable</p>



# IF5P024ZM05



<b>Weight (Gross with Carton)</b>	<b>Gr</b>	115
<b>Operational Frequency</b>		50 Hz
<b>Operational Voltage</b>		24V AC/DC
<b>Product</b>		LED Beacon 55mm
<b>Control</b>		PLC Harmonized
<b>Mounting</b>		M22 Screw
<b>Color</b>		Multicolor
<b>Illumination</b>		Constant
<b>Volume</b>		90 dB
<b>Power Consumption</b>		1.4W
<b>Insulation Voltage</b>	<b>Ui</b>	300V
<b>Operating Temperature</b>		-25 °C /+70 °C
<b>Protection Degree</b>		IP65
<b>Cable Section</b>		Cable 0,50 mm <sup>2</sup>
<b>Serial</b>		IF Series
<b>Buzzer</b>		With Buzzer
<b>Electrical Life</b>	<b>Min Hour</b>	10.000 Hours
<b>Specifications</b>		Heat resistant, clear vision Polycarbonate signal module
		Monoblock construction
		Easy wiring
		Easy to install to 22mm hole





**IF5M024ZM05**



<b>Weight (Gross with Carton)</b>	<b>Gr</b>	125
<b>Operational Frequency</b>		50 Hz
<b>Operational Voltage</b>		24V AC/DC
<b>Product</b>		LED Beacon 55mm
<b>Control</b>		Key Control
<b>Mounting</b>		M22 Screw
<b>Color</b>		Multicolor
<b>Illumination</b>		Constant
<b>Volume</b>		90 dB
<b>Power Consumption</b>		2.9W
<b>Operating Frequency</b>	<b>On-Off/Hour</b>	1 Hz
<b>Insulation Voltage</b>	<b>Ui</b>	300V
<b>Operating Temperature</b>		-25 °C /+70 °C
<b>Protection Degree</b>		IP65
<b>Cable Section</b>		Cable 0,50 mm <sup>2</sup>
<b>Serial</b>		IF Series
<b>Buzzer</b>		With Buzzer
<b>Electrical Life</b>	<b>Min Hour</b>	10.000 Hours
<b>Specifications</b>	Heat resistant, clear vision Polycarbonate signal module	
	Monoblock construction	
	Easy wiring	
	Easy to install to 22mm hole	





**IF5M220ZM05**

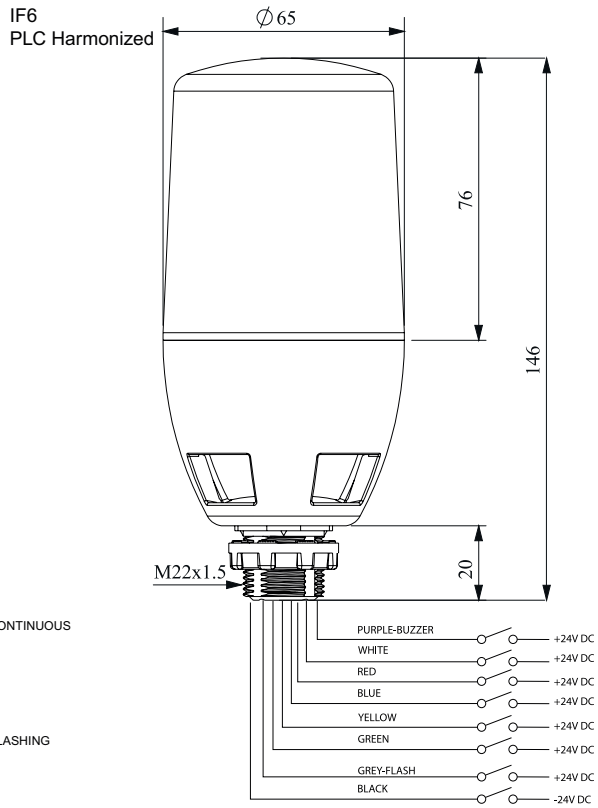
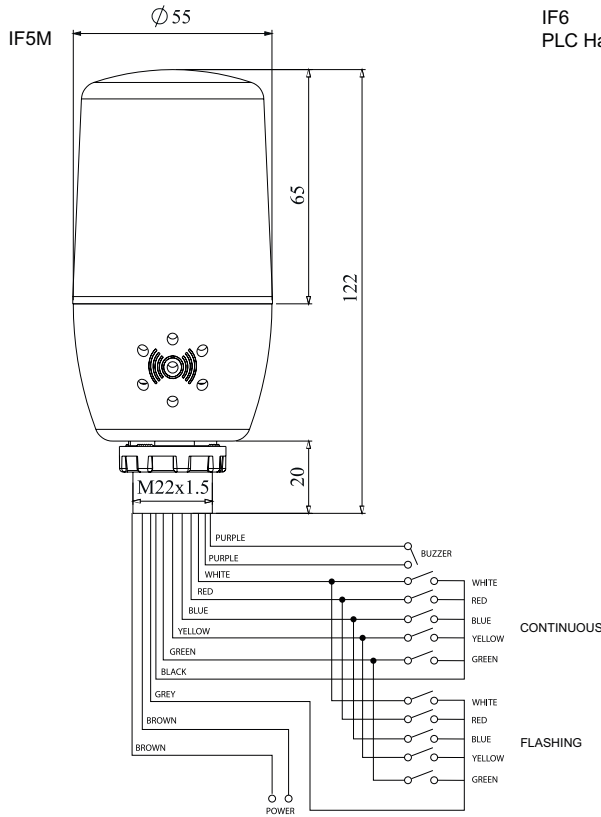


<b>Weight (Gross with Carton)</b>	<b>Gr</b>	125
<b>Operational Frequency</b>		50 Hz
<b>Operational Voltage</b>		220V AC
<b>Product</b>		LED Beacon 55mm
<b>Control</b>		Key Control
<b>Mounting</b>		M22 Screw
<b>Color</b>		Multicolor
<b>Illumination</b>		Constant
<b>Volume</b>		90 dB
<b>Power Consumption</b>		10VA
<b>Operating Frequency</b>	<b>On-Off/Hour</b>	1 Hz
<b>Insulation Voltage</b>	<b>Ui</b>	300V
<b>Operating Temperature</b>		-25 °C /+70 °C
<b>Protection Degree</b>		IP65
<b>Cable Section</b>		Cable 0,50 mm <sup>2</sup>
<b>Serial</b>		IF Series
<b>Buzzer</b>		With Buzzer
<b>Electrical Life</b>	<b>Min Hour</b>	10.000 Hours
<b>Specifications</b>	Heat resistant, clear vision Polycarbonate signal module	
	Monoblock construction	
	Easy wiring	
	Easy to install to 22mm hole	



# IF SERIES MULTI COLOUR BEACONS WITH Ø 22 MM CONNECTION, IP65

## IF5M024ZM05



## IF5P024ZM05

