

IK53F024ZM03



IKML024K



IKML024Y



IKMF024S



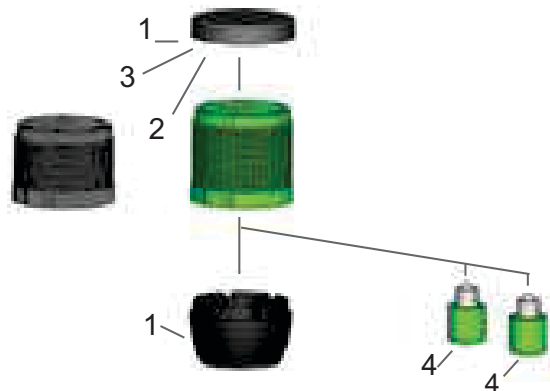
IKML024M



IKML024B

Each Light Tower consists of below components.

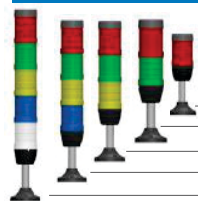
1. Body and Cover
2. Signal Modules (5 Colour)
3. Buzzer module
4. LED, Flashing LED
5. Connection



Selection Table

IK	5	3	L	220	X	M03	E
Series	Diameter	Layer	Bulb Type	Voltage	Buzzer	Connection	Waterproof
<ul style="list-style-type: none"> IK Series Signal Towers 	<ul style="list-style-type: none"> 5 Ø50 Diameter 7 Ø70 Diameter 	<ul style="list-style-type: none"> 0 0 Layer 1 1 Layer 2 2 Layer 3 3 Layer 4 4 Layer 5 5 Layer 	<ul style="list-style-type: none"> X None L LED Bulb F Flashing LED Bulb 	<ul style="list-style-type: none"> 024 024V AC/DC 220 220V AC 	<ul style="list-style-type: none"> X Without Buzzer W Buzzer with Sensitive to Sound Z With Buzzer 	<ul style="list-style-type: none"> M01 100mm Plastic Base M02 20mm Aluminium Base M03 100mm Aluminium Base M04 500mm Aluminium Base D01 Wall Base D02 Adjustable Base 	<ul style="list-style-type: none"> E For Waterproof IP65

Light Towers can be purchased as complete or modular. Mounting system is easy with plug and turn system without any mounting equipment



COMPLETE LIGHT TOWER Dia 50 mm (With 100 mm Aluminium connection, body and Lamps)

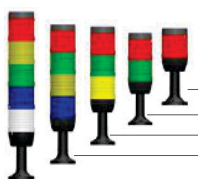
Code	Illumination	Buzzer
IK51L XM03	LED	-
IK52L XM03	LED	-
IK53L XM03	LED	-
IK54L XM03	LED	-
IK55L XM03	LED	-

Code	Illumination	Buzzer
IK51F XM03	With Flashing LED	-
IK52F XM03	With Flashing LED	-
IK53F XM03	With Flashing LED	-
IK54F XM03	With Flashing LED	-
IK55F XM03	With Flashing LED	-



Code	Illumination	Buzzer
IK50X ZM03	-	90 dB
IK51L ZM03	LED	90 dB
IK52L ZM03	LED	90 dB
IK53L ZM03	LED	90 dB
IK54L ZM03	LED	90 dB

Code	Illumination	Buzzer
IK50X ZM03	-	90 dB
IK51F ZM03	With Flashing LED	90 dB
IK52F ZM03	With Flashing LED	90 dB
IK53F ZM03	With Flashing LED	90 dB
IK54F ZM03	With Flashing LED	90 dB



COMPLETE LIGHT TOWER Dia 70 mm (100 mm Plastic connection, body and Lamps)

Code	Illumination	Buzzer
IK71L XM01	LED	-
IK72L XM01	LED	-
IK73L XM01	LED	-
IK74L XM01	LED	-
IK75L XM01	LED	-

Code	Illumination	Buzzer
IK71F XM01	With Flashing LED	-
IK72F XM01	With Flashing LED	-
IK73F XM01	With Flashing LED	-
IK74F XM01	With Flashing LED	-
IK75F XM01	With Flashing LED	-



Code	Illumination	Buzzer
IK70X ZM01	-	90 dB
IK71L ZM01	LED	90 dB
IK72L ZM01	LED	90 dB
IK73L ZM01	LED	90 dB
IK74L ZM01	LED	90 dB

Code	Illumination	Buzzer
IK70X ZM01	-	90 dB
IK71F ZM01	With Flashing LED	90 dB
IK72F ZM01	With Flashing LED	90 dB
IK73F ZM01	With Flashing LED	90 dB
IK74F ZM01	With Flashing LED	90 dB

Shows the voltage of the LED. When it is written "024", it means that it is 24V AC/DC, when written "220" it is 220VAC, "110" it is 110V AC
For IP65 please add E letter to the end of the code. (Excluding buzzer versions)

MODULES

1-Body and Cover

IKM 5G Dia 50 mm

Maximum up to 5 modules can be mounted.



1-Body and Cover

IKM 7G Dia 70 mm

Maximum up to 5 modules can be mounted.



2- Signal Modules

IKM5 50 mm

Heat resistant polycarbonate material



2- Signal Modules

IKM7 70 mm

Heat resistant polycarbonate material



3- Buzzer Modules

IKM5Z024
50 mm / 90 dB

IKM5Z110
50 mm / 90 dB

IKM5Z220
50 mm / 90 dB



3- Buzzer Modules

IKM7Z024
70 mm / 90 dB

IKM7Z110
70 mm / 90 dB

IKM7Z220
70 mm / 90 dB



4- Lamps

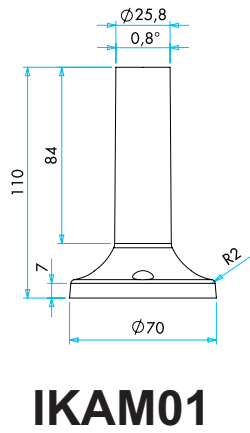
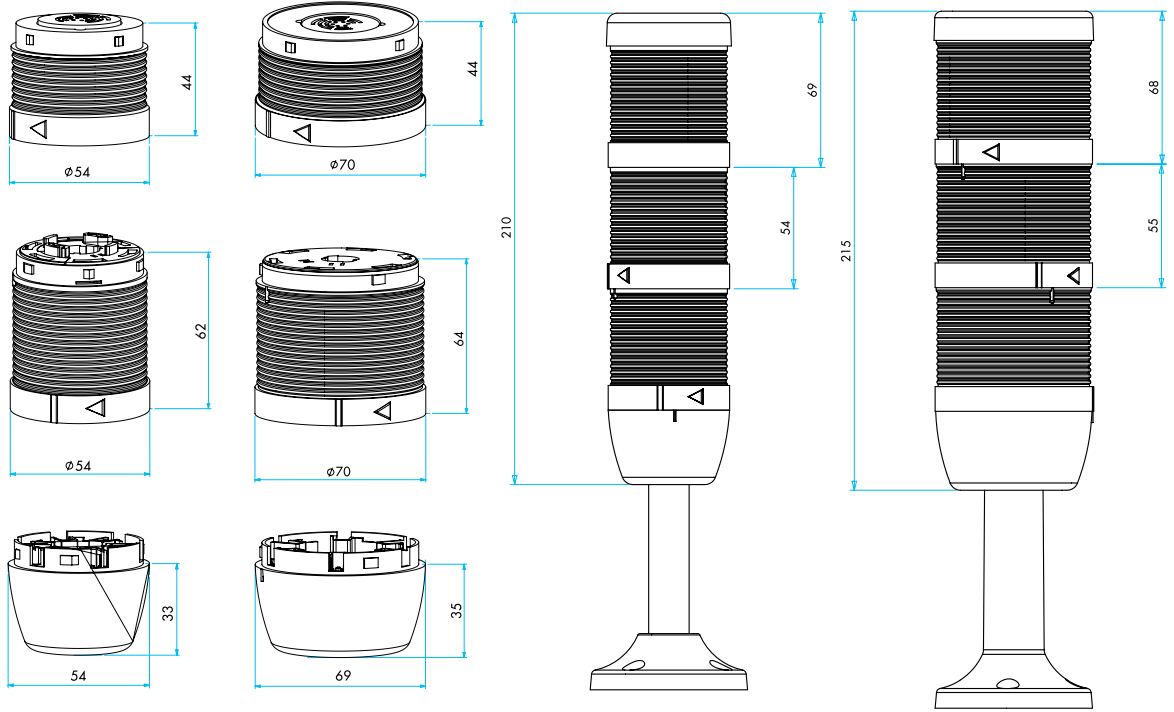
Nominal Voltage	with LED	Colour
24V AC/DC	IKML024	B K Y S M
110V AC	IKML110	B K Y S M
220V AC	IKML220	B K Y S M

Nominal Voltage	with LED	Colour
24V AC/DC	IKMF024	B K Y S M
110V AC	IKMF110	B K Y S M
220V AC	IKMF220	B K Y S M

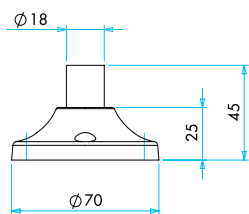
5- Mounting Options IP 65

Code	Features
IKAM01	100 mm Plastic base (Standard for Dia.70 mm, not applicable for Dia 50)
IKAM02	20 mm Aluminium base
IKAM03	100 mm Aluminium base (Standart for Dia 50 mm)
IKAM04	500 mm Aluminium base
IKAD01	Wall Connection, 100 mm Aluminium tube
IKAD02	Adjustable wall elbow
IKAD40	Wall connection with tube - Side Entry
IKAD41	Wall connection with tube - Bottom Entry (with cable gland)
IKAD50	Wall connection with base - Side Entry
IKAD51	Wall connection with base - Bottom Entry (with cable gland)
IKAB10	100mm Aluminium Tube

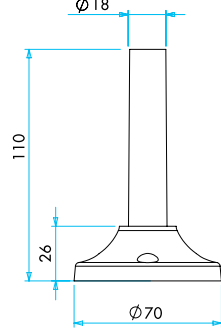
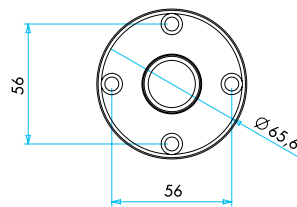




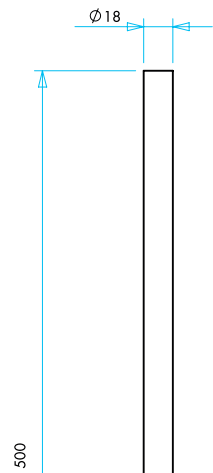
IKAM01



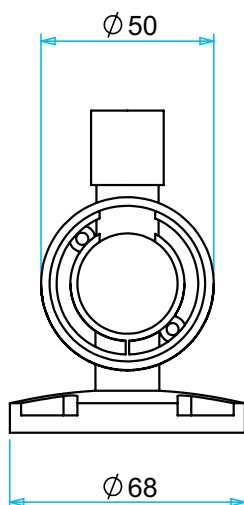
IKAM02



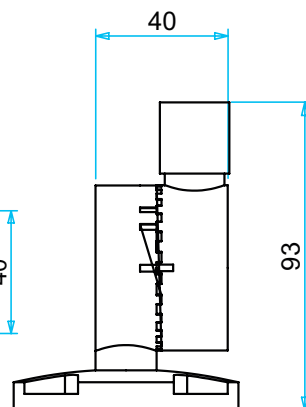
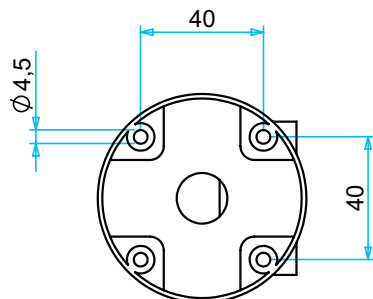
IKAM03



IKAM04



IKAD02



IK GENERAL MOUNTING

