

IT SERIES

EMAS

CODE	LIGHT	COLOUR		VOLTAGE	BOX/PCS
IT070R024Z	LED	R	With Buzzer	12-24V AC/DC	1
IT070R240Z	LED	R	With Buzzer	48-240V AC/DC	1
IT070Y024Z	LED	Y	With Buzzer	12-24V AC/DC	1
IT070Y240Z	LED	Y	With Buzzer	48-240V AC/DC	1
IT070G024Z	LED	G	With Buzzer	12-24V AC/DC	1
IT070G240Z	LED	G	With Buzzer	48-240V AC/DC	1
IT120R024	LED	R		12-24V AC/DC	1
IT120R024Z	LED	R	With Buzzer	12-24V AC/DC	1
IT120R048	LED	R		48V AC	1
IT120R220	LED	R		110-220V AC	1
IT120R220Z	LED	R	With Buzzer	110-220V AC	1
IT120Y024	LED	Y		12-24V AC/DC	1
IT120Y024Z	LED	Y	With Buzzer	12-24V AC/DC	1
IT120Y048	LED	Y		48V AC	1
IT120Y220	LED	Y		110-220V AC	1
IT120Y220Z	LED	Y	With Buzzer	110-220V AC	1
IT120G024	LED	G		12-24V AC/DC	1
IT120G024Z	LED	G	With Buzzer	12-24V AC/DC	1
IT120G048	LED	G		48V AC	1
IT120G220	LED	G		110-220V AC	1
IT120G220Z	LED	G	With Buzzer	110-220V	1

Beacon

General Specification;

- Fireproof plastic body
- Polycarbonate lens
- Base and wall-mount
- Unaffected by water, dust, heat and UV.
- Wear-free due to the absence of moving components
- Long life
- Melody and Silent mode. (for Buzzer models)
- 7 LED modes
- IP65 rating

Technical Specification;

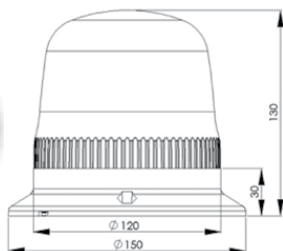
- Operating Voltage: 12-24V AC/DC, 48-110-220V AC,
- Current consumption: 3,4W (at 24 V DC by rotating mode)
- Operating temperature: -20 / +50 C°
- Storage temperature: -20 / +70 C°
- 105dB Buzzer

Modes

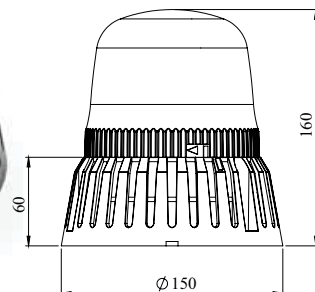
- Rotation 100 RPM
- Rotation 160 RPM
- Single Blink
- 3 Blink
- 6 Blink
- Right-Left Blink
- Blinker



IT120R024



IT120R024Z



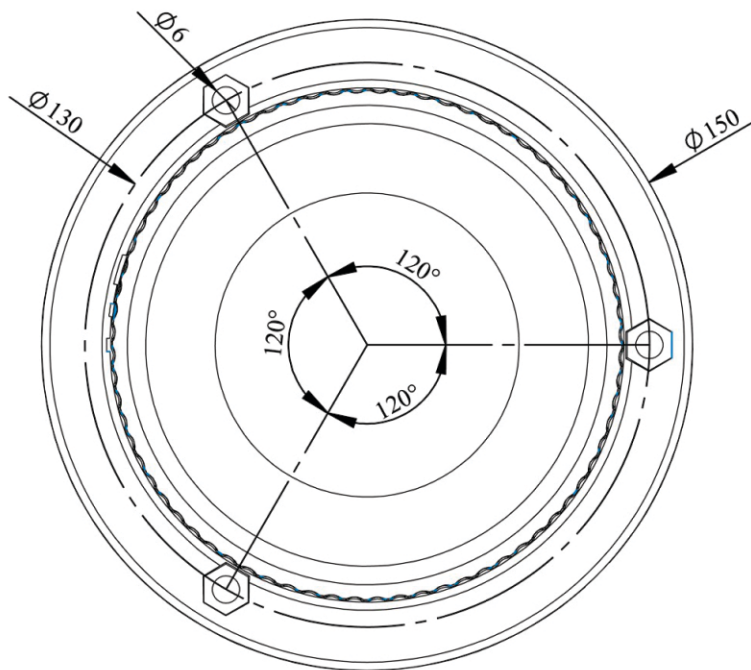
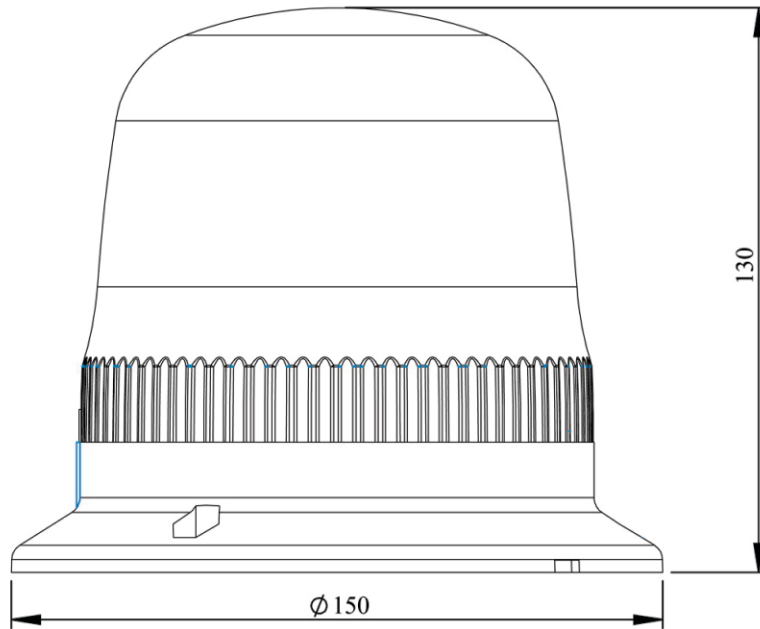
Selection Table

IT	L	120	Y	024
Series	Type	Diameter	Colour	Voltage
IT Series Multifunctional Beacons	L With LED M With Motor	120 Ø120 mm Diameter	R Red Y Yellow G Green B Blue	024 024V AC/DC 110 110V AC 220 220V AC



Bulb Type		LED
Operational Frequency		50 Hz
Operational Voltage		24V AC/DC
Product		LED Beacon 120mm
Control		Multifunctional
Color		Red
Power Consumption		10W (Max)
Insulation Voltage	Ui	300V
Dielectric Strength (Body-Contact)		1500V
Operating Temperature		-25 °C /+55 °C
Protection Degree		IP65
Cable Section		Cable 0,50 mm ²
Serial		IT Series
Electrical Life	Min Hour	20.000 Hours
Specifications	Heat resistant, clear vision Polycarbonate signal module	
	Monoblock construction	
	Easy wiring	

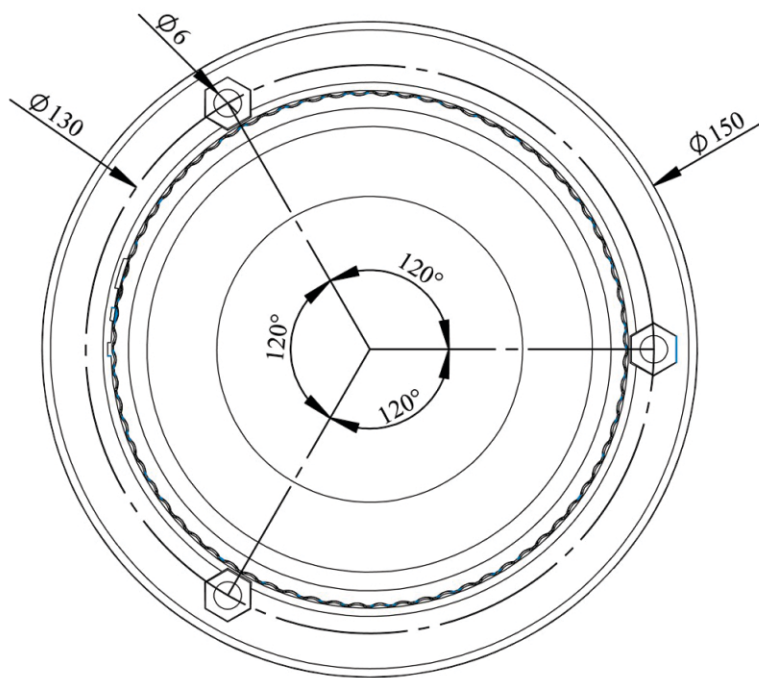
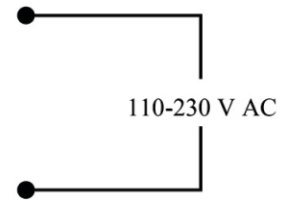
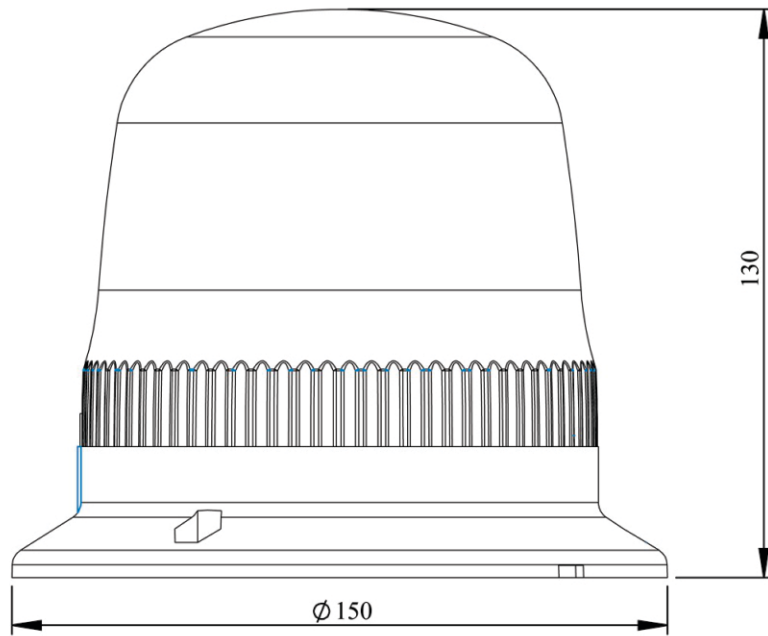






Bulb Type		LED
Operational Frequency		50 Hz
Operational Voltage		220V AC
Product		LED Beacon 120mm
Control		Multifunctional
Color		Red
Power Consumption		10W (Max)
Insulation Voltage	Ui	300V
Dielectric Strength (Body-Contact)		1500V
Operating Temperature		-25 °C /+55 °C
Protection Degree		IP65
Cable Section		Cable 0,50 mm ²
Serial		IT Series
Electrical Life	Min Hour	20.000 Hours
Specifications		Heat resistant, clear vision Polycarbonate signal module
		Monoblock construction
		Easy wiring

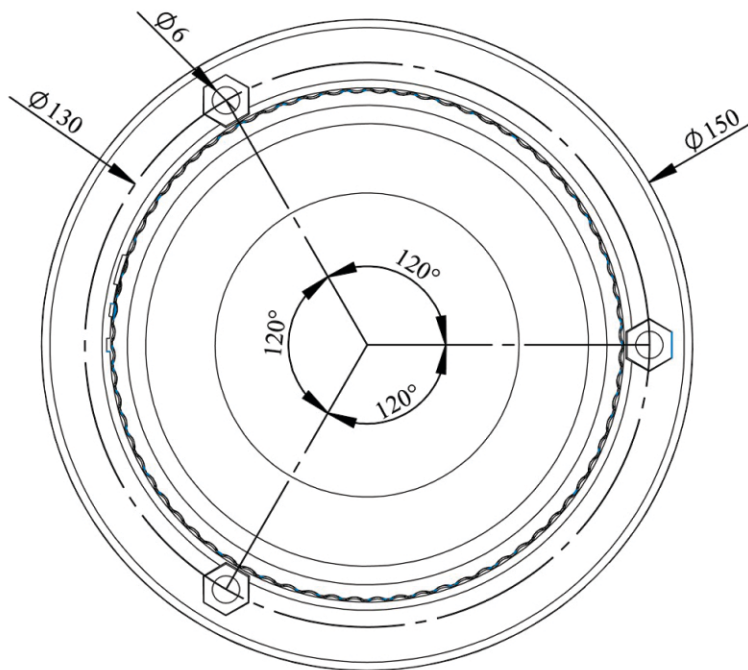
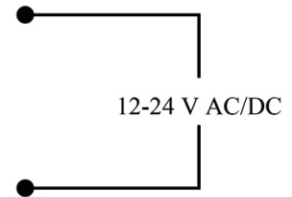
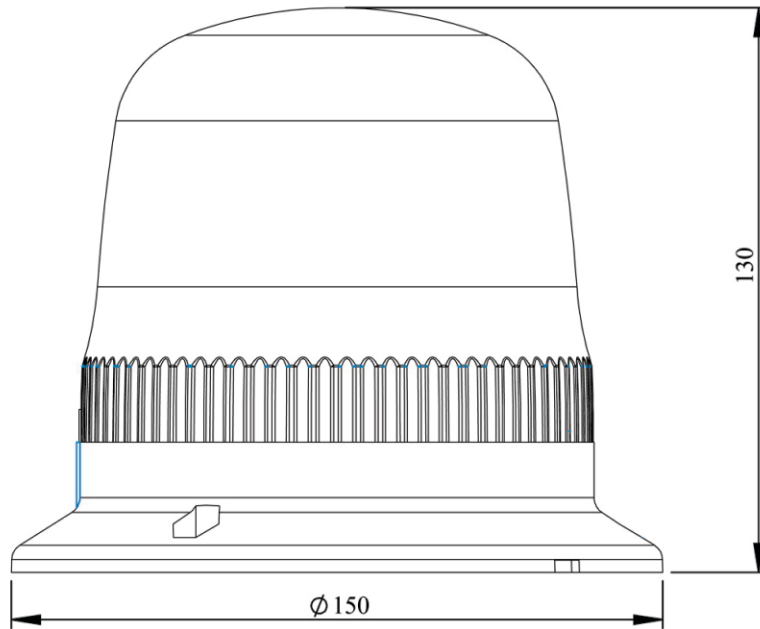






Bulb Type		LED
Operational Frequency		50 Hz
Operational Voltage		24V AC/DC
Product		LED Beacon 120mm
Control		Multifunctional
Color		Yellow
Power Consumption		10W (Max)
Insulation Voltage	Ui	300V
Dielectric Strength (Body-Contact)		1500V
Operating Temperature		-25 °C /+55 °C
Protection Degree		IP65
Cable Section		Cable 0,50 mm ²
Serial		IT Series
Electrical Life	Min Hour	20.000 Hours
Specifications		Heat resistant, clear vision Polycarbonate signal module
		Monoblock construction
		Easy wiring

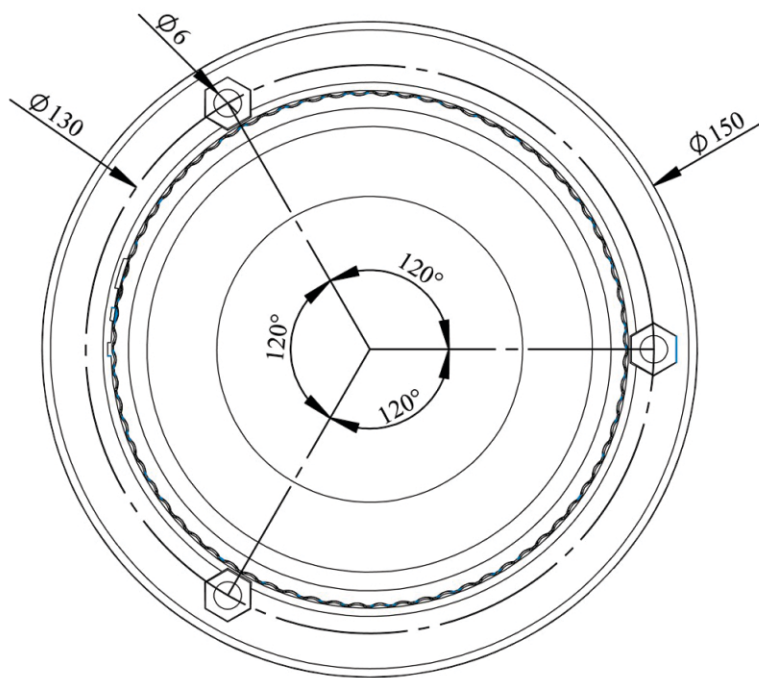
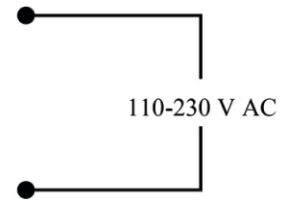
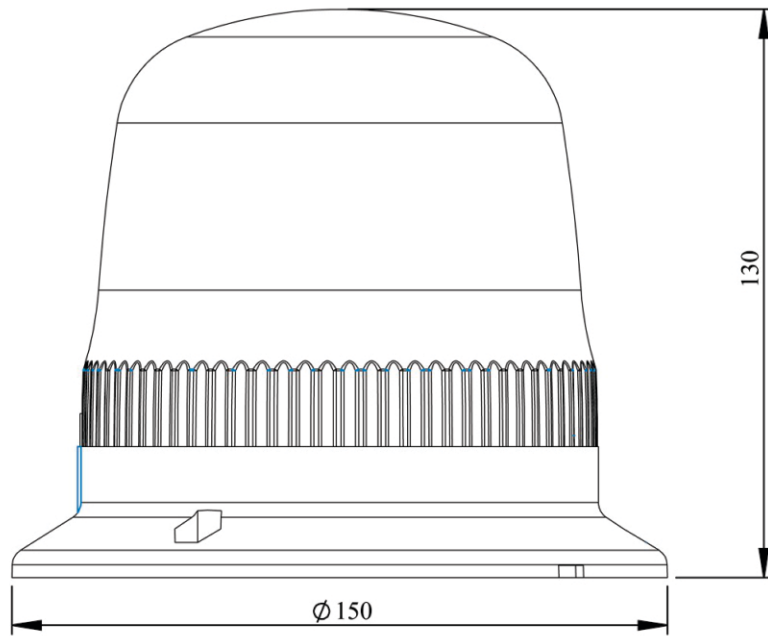




EMAS[®]**IT120Y220**

Bulb Type		LED
Operational Frequency		50 Hz
Operational Voltage		220V AC
Product		LED Beacon 120mm
Control		Multifunctional
Color		Yellow
Power Consumption		10W (Max)
Insulation Voltage	Ui	300V
Dielectric Strength (Body-Contact)		1500V
Operating Temperature		-25 °C /+55 °C
Protection Degree		IP65
Cable Section		Cable 0,50 mm ²
Serial		IT Series
Electrical Life	Min Hour	20.000 Hours
Specifications		Heat resistant, clear vision Polycarbonate signal module
		Monoblock construction
		Easy wiring

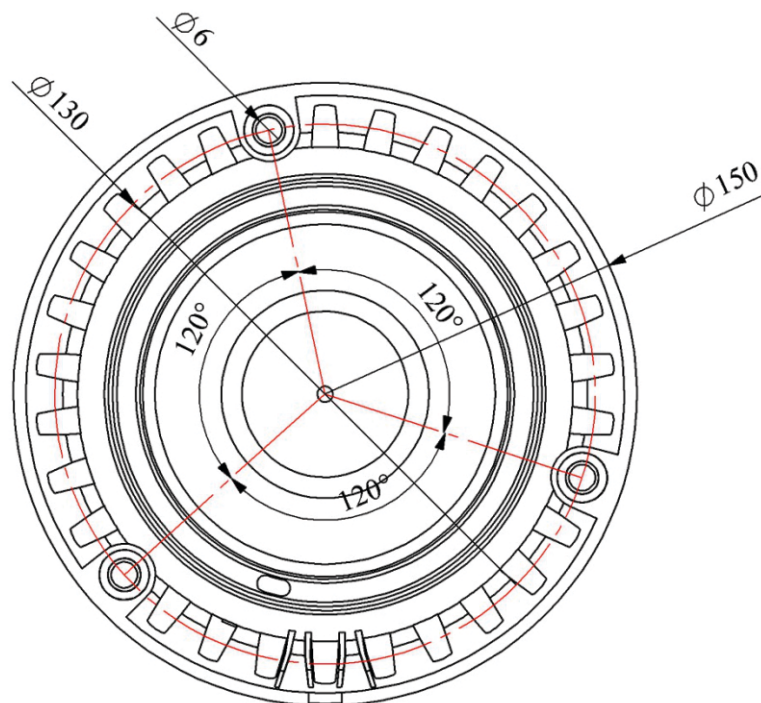
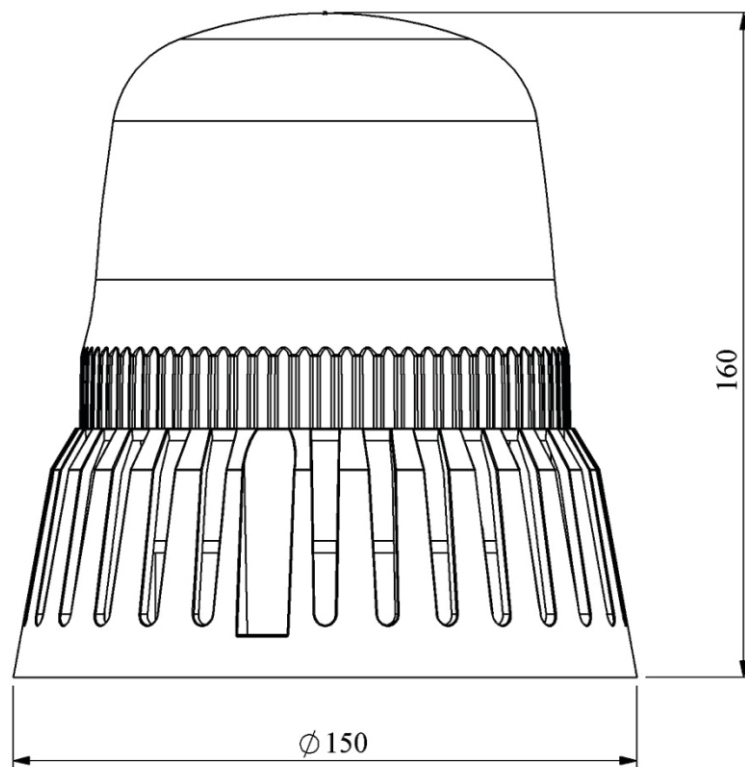






Bulb Type		LED
Operational Frequency		50 Hz
Operational Voltage		24V AC/DC
Product		LED Beacon 120mm
Color		Red
Insulation Voltage	Ui	300V
Dielectric Strength (Body-Contact)		1500V
Operating Temperature		-25 °C /+55 °C
Protection Degree		IP65
Cable Section		Cable 0,50 mm ²
Serial		IT Series
Buzzer		With Buzzer
Electrical Life	Min Hour	20.000 Hours
Specifications	Heat resistant, clear vision Polycarbonate signal module	
	Monoblock construction	
	Easy wiring	

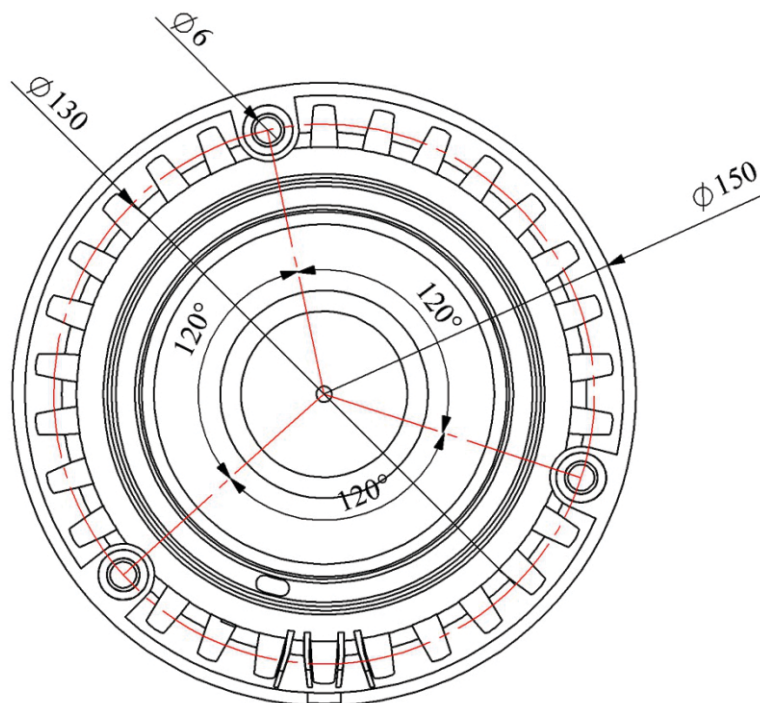
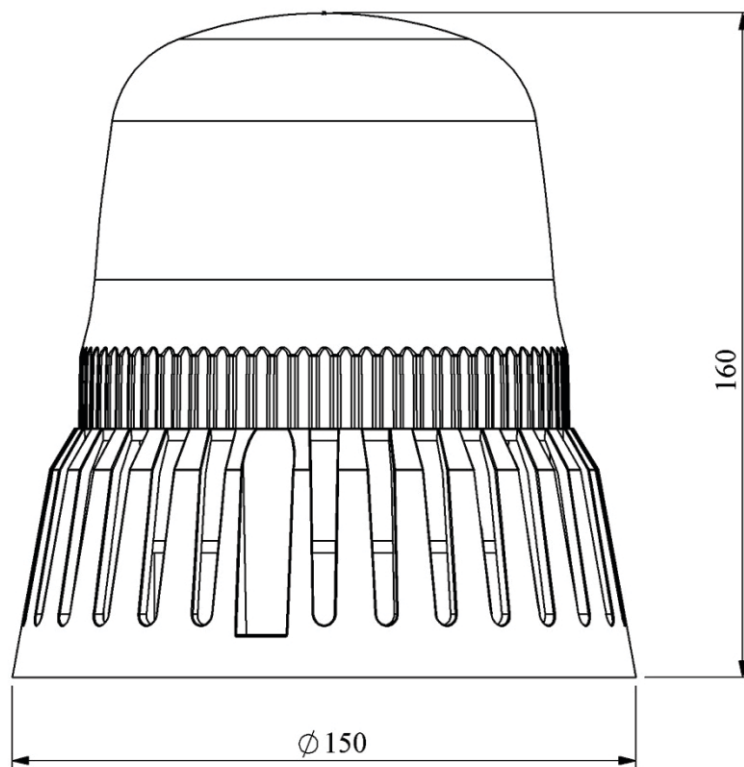






Bulb Type		LED
Operational Frequency		50 Hz
Operational Voltage		220V AC
Product		LED Beacon 120mm
Color		Red
Insulation Voltage	Ui	300V
Dielectric Strength (Body-Contact)		1500V
Operating Temperature		-25 °C /+55 °C
Protection Degree		IP65
Cable Section		Cable 0,50 mm ²
Serial		IT Series
Buzzer		With Buzzer
Electrical Life	Min Hour	20.000 Hours
Specifications	Heat resistant, clear vision Polycarbonate signal module	
	Monoblock construction	
	Easy wiring	

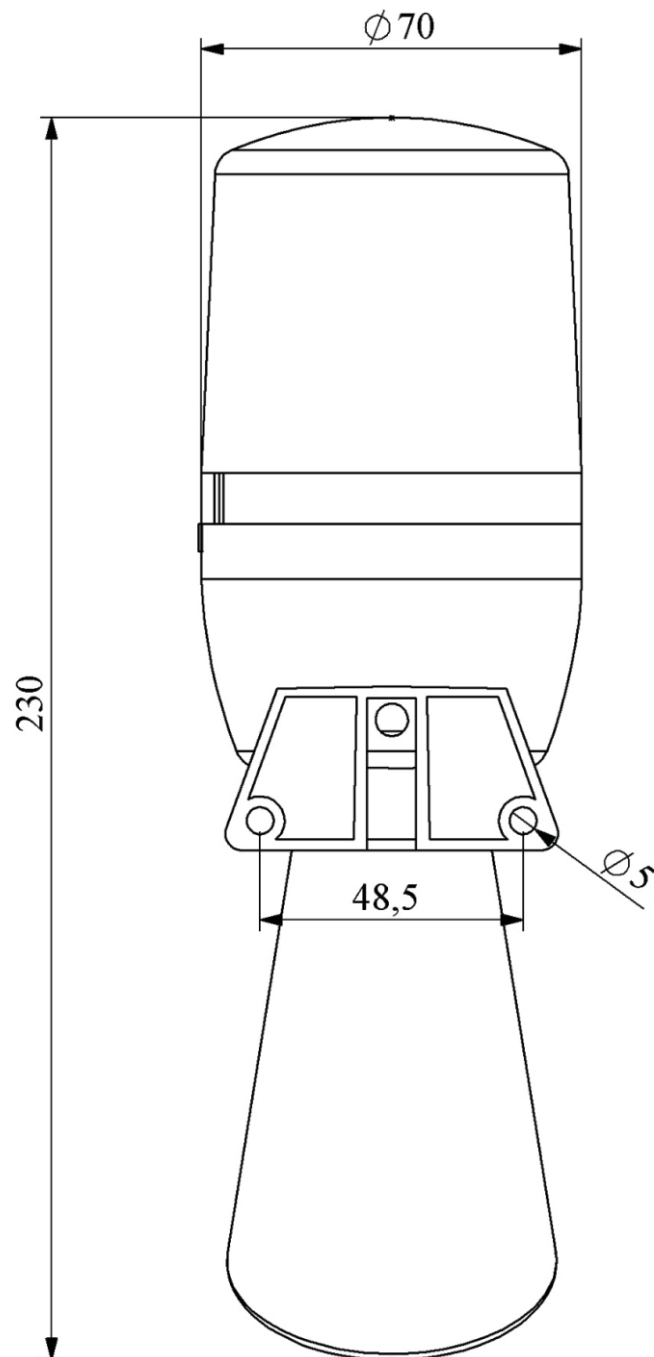






Bulb Type		LED
Operational Frequency		50 Hz
Operational Voltage		12-24V AC/DC
Product		LED Horn 70mm
Color		Red
Insulation Voltage	Ui	300V
Operating Temperature		-25 °C /+70 °C
Protection Degree		IP65
Cable Section		Cable 0,50 mm ²
Serial		IT Series
Buzzer		With Buzzer
Electrical Life	Min Hour	20.000 Hours
Specifications		Heat resistant, clear vision Polycarbonate signal module
		Monoblock construction
		Easy wiring







Bulb Type		LED
Operational Frequency		50 Hz
Operational Voltage		48-240V AC/DC
Product		LED Horn 70mm
Color		Red
Insulation Voltage	Ui	300V
Operating Temperature		-25 °C /+70 °C
Protection Degree		IP65
Cable Section		Cable 0,50 mm ²
Serial		IT Series
Buzzer		With Buzzer
Electrical Life	Min Hour	20.000 Hours
Specifications		Heat resistant, clear vision Polycarbonate signal module
		Monoblock construction
		Easy wiring



