

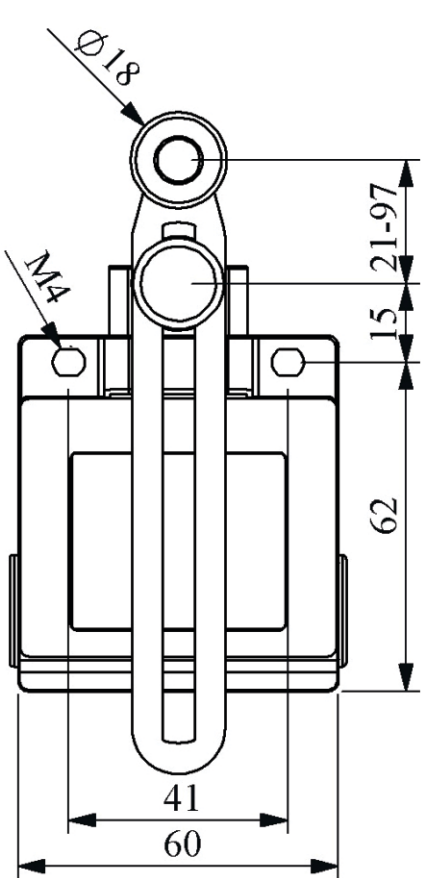


# L53K13MEM123

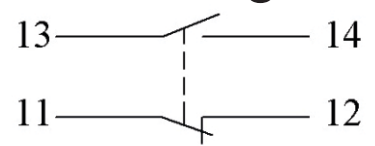


<b>Product</b>		Limit Switch
<b>Contact</b>		1NO+1NC
<b>Actuator</b>		Adjustable Roller Arm
<b>Actuator Dia</b>		18 mm
<b>Current</b>	<b>Ie</b>	3 A (240V AC)
<b>Usage Category</b>		AC15
<b>Mechanical Life</b>	<b>Min Qty</b>	10000000
<b>Electrical Life</b>	<b>Min Qty</b>	1000000
<b>Operating Frequency</b>	<b>On-Off/Hour</b>	Mech. 3000 Elec. 1800
<b>Insulation Voltage</b>	<b>Ui</b>	500 V
<b>Impulse Withstand Voltage</b>	<b>Uimp</b>	6 kV
<b>Dielectric Strength (Body-Contact)</b>		1.890V AC
<b>Dielectric Strength (Contact-Contact)</b>		1.890V AC
<b>Isolation Resistance</b>		10 MΩ (500 V DC)
<b>Operating Temperature</b>		-25 / + 80 °C
<b>Pollution Degree</b>		3
<b>Protection Degree</b>		IP65
<b>Contact Material</b>		AgNi
<b>Cable Section</b>		1-2.5 mm <sup>2</sup>
<b>Screw Torque</b>		1.5Nm
<b>Short Circuit Breaking Capacity</b>	<b>Ics</b>	1 kA
<b>Serial</b>		L53 Metal Body
<b>Contact Action</b>		Snap Action
<b>Actuator Material</b>		Metal
<b>Specifications</b>		Metal Body and Cover
		3 side PG13,5 holes
		Various actuator options with wide sensitive contact block alternatives for all kind of applications

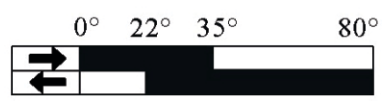




circuit diagram



Immediate Movement



Flowchart