

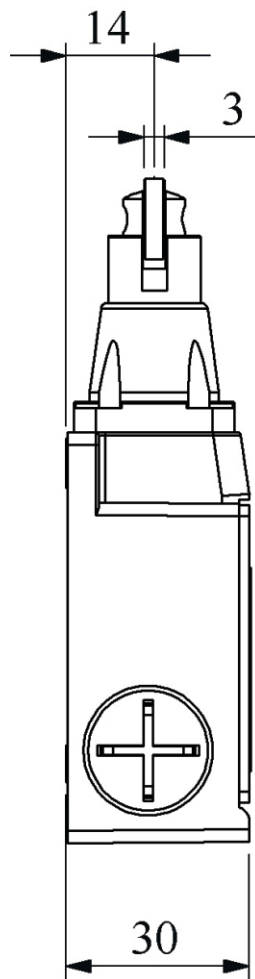
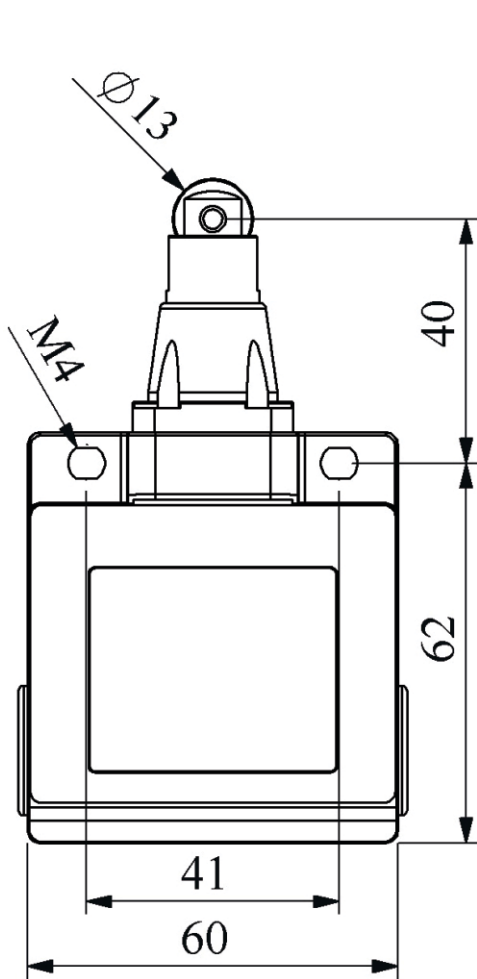


# L53K13MUM331

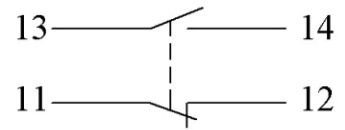


<b>Product</b>	Limit Switch	
<b>Contact</b>	1NO+1NC	
<b>Actuator</b>	Roller Plunger	
<b>Actuator Dia</b>	13 mm	
<b>Current</b>	<b>Ie</b>	3 A (240V AC)
<b>Usage Category</b>	AC15	
<b>Mechanical Life</b>	<b>Min Qty</b>	10000000
<b>Electrical Life</b>	<b>Min Qty</b>	1000000
<b>Operating Frequency</b>	<b>On-Off/Hour</b>	Mech. 3000 Elec. 1800
<b>Insulation Voltage</b>	<b>Ui</b>	500 V
<b>Impulse Withstand Voltage</b>	<b>Uimp</b>	6 kV
<b>Dielectric Strength (Body-Contact)</b>	1.890V AC	
<b>Dielectric Strength (Contact-Contact)</b>	1.890V AC	
<b>Isolation Resistance</b>	10 MΩ (500 V DC)	
<b>Operating Temperature</b>	-25 / + 80 °C	
<b>Pollution Degree</b>	3	
<b>Protection Degree</b>	IP65	
<b>Contact Material</b>	AgNi	
<b>Cable Section</b>	1-2.5 mm <sup>2</sup>	
<b>Screw Torque</b>	1.5Nm	
<b>Short Circuit Breaking Capacity</b>	<b>Ics</b>	1 kA
<b>Serial</b>	L53 Metal Body	
<b>Contact Action</b>	Snap Action	
<b>Actuator Material</b>	Metal	
<b>Specifications</b>	Metal Body and Cover	
	3 side PG13,5 holes	
	Various actuator options with wide sensitive contact block alternatives for all kind of applications	

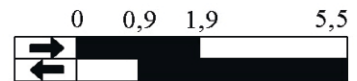




circuit diagram



Immediate Movement



Flowchart