

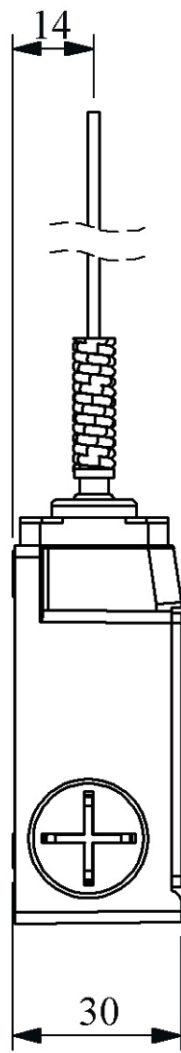
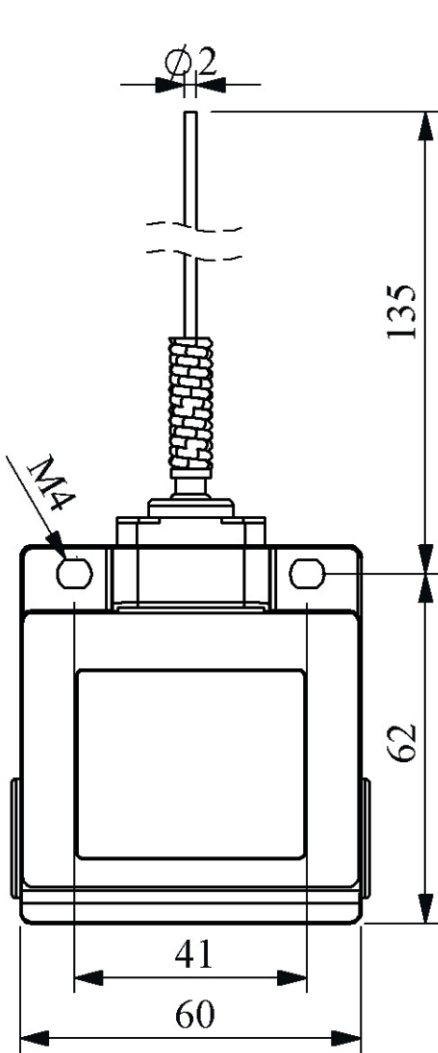


L53K13MUM331

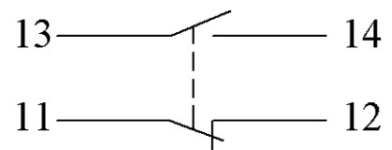


Product		Limit Switch
Contact		1NO+1NC
Actuator		Spring Lever
Actuator Dia		2 mm
Current	Ie	3 A (240V AC)
Usage Category		AC15
Mechanical Life	Min Qty	10000000
Electrical Life	Min Qty	1000000
Operating Frequency	On-Off/Hour	Mech. 3000 Elec. 1800
Insulation Voltage	Ui	500 V
Impulse Withstand Voltage	Uimp	6 kV
Dielectric Strength (Body-Contact)		1.890V AC
Dielectric Strength (Contact-Contact)		1.890V AC
Isolation Resistance		10 MΩ (500 V DC)
Operating Temperature		-25 / + 80 °C
Pollution Degree		3
Protection Degree		IP65
Contact Material		AgNi
Cable Section		1-2.5 mm ²
Screw Torque		1.5Nm
Short Circuit Breaking Capacity	Ics	1 kA
Serial		L53 Metal Body
Contact Action		Snap Action
Actuator Material		Metal Spike
Specifications		Metal Body and Cover
		3 side PG13,5 holes
		Various actuator options with wide sensitive contact block alternatives for all kind of applications

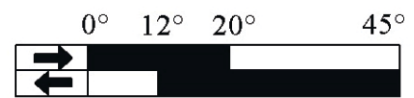




circuit diagram



Immediate Movement



Flowchart