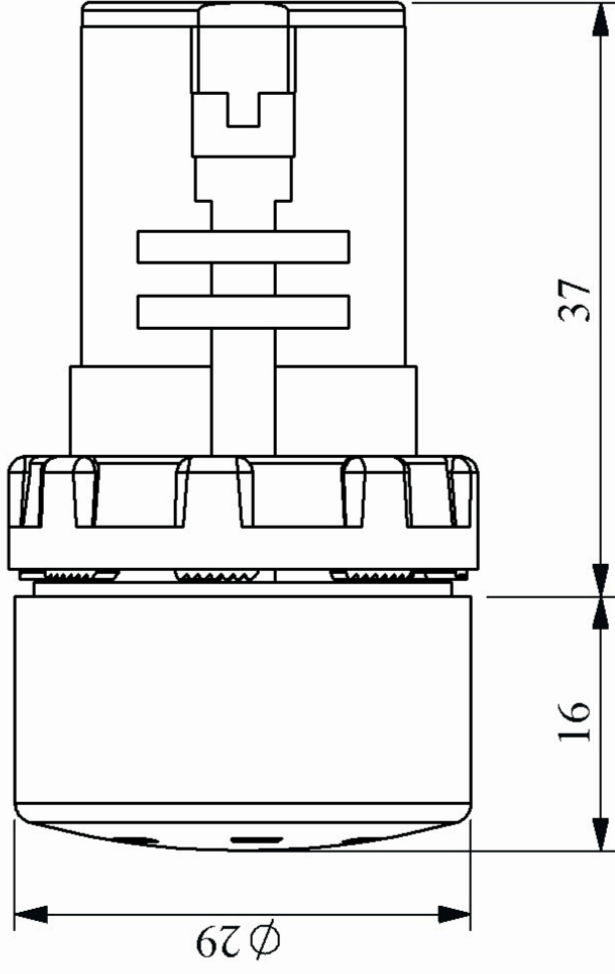


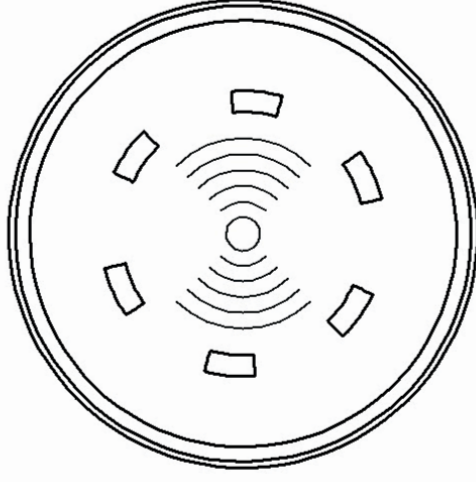


<b>Bulb Type</b>		Led
<b>Operating Current</b>		20 mA
<b>Operational Frequency</b>		50 Hz
<b>Operational Voltage</b>		24V AC/DC
<b>Product</b>		Buzzer
<b>Illumination</b>		with LED
<b>Dia</b>		22 mm
<b>Volume</b>		85 dB
<b>Power Consumption</b>		0.6 W
<b>Insulation Voltage</b>	<b>Ui</b>	250 V
<b>Operating Temperature</b>		-15 / + 70 °C
<b>Protection Degree</b>		IP65
<b>Cable Section</b>		1.5-2.5 mm <sup>2</sup>
<b>Screw Torque</b>		1,5 Nm
<b>Serial</b>		MB Series Plastic
<b>Electrical Life</b>	<b>Min Hour</b>	10000
<b>Specifications</b>	Non-flammable V0 PA6.6 contact blocks	
	Monoblock strong body	
	Finger safe protection	





mounting scale  $\text{Ø}22.4 \pm 0.2 \text{ mm}$



circuit diagram

