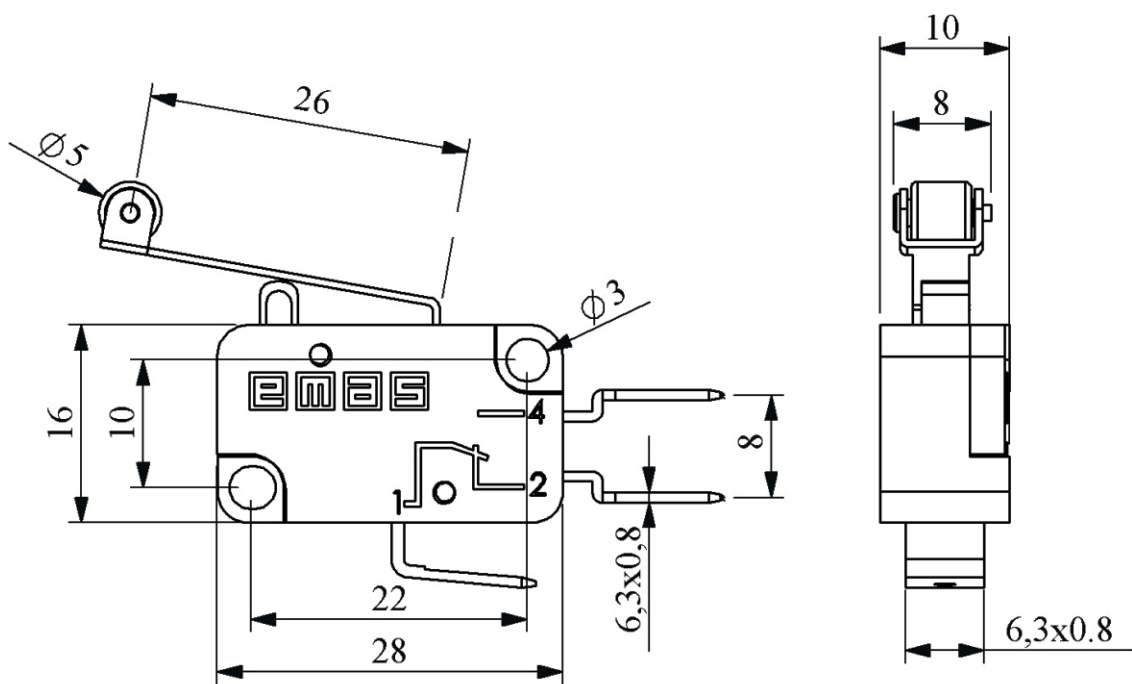


<b>Product</b>		Micro Switch
<b>Contact</b>		1CO
<b>Actuator</b>		Long Lever Roller
<b>Current</b>	<b>I<sub>e</sub></b>	6 A (250V AC)
<b>Usage Category</b>		AC15
<b>Mechanical Life</b>	<b>Min Qty</b>	10000000
<b>Electrical Life</b>	<b>Min Qty</b>	100000
<b>Operating Frequency</b>	<b>On-Off/Hour</b>	Mech. 3000 Elec. 1200
<b>Insulation Voltage</b>	<b>U<sub>i</sub></b>	660V
<b>Impulse Withstand Voltage</b>	<b>U<sub>imp</sub></b>	2.5 kV
<b>Dielectric Strength (Body-Contact)</b>		1.890V AC
<b>Dielectric Strength (Contact-Contact)</b>		1.890V AC
<b>Isolation Resistance</b>		10 MΩ min. (500V DC)
<b>Operating Temperature</b>		-25 / +80 °C
<b>Pollution Degree</b>		3
<b>Protection Degree</b>		IP20
<b>Contact Material</b>		AgNi
<b>Cable Section</b>		Terminal 6,3*0,8 mm
<b>Short Circuit Breaking Capacity</b>	<b>I<sub>cs</sub></b>	1 kA
<b>Serial</b>		MK1 Series
<b>Actuator Material</b>		Plastic
<b>Specifications</b>		Maximum product reliability with V0 material
		Different actuator options
<b>Standards / Certificates</b>		TS EN 60947-5-1





circuit diagram

