



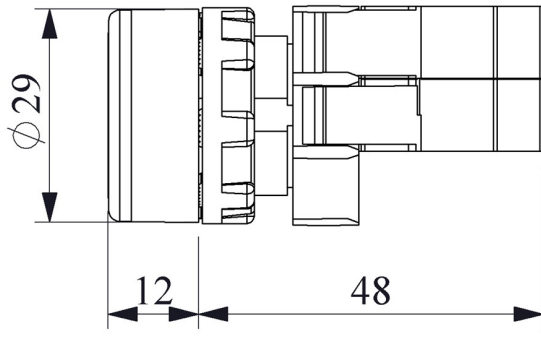


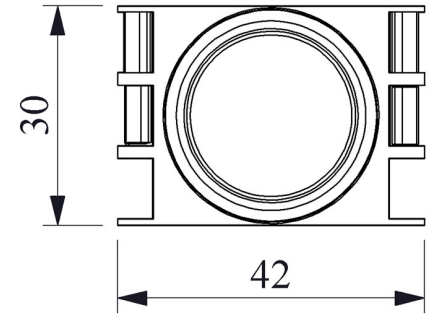

**B190DY**

Operating Current		5-20 mA (12-30V AC/DC)
Operational Frequency		50 Hz
Operational Voltage		12-30V AC/DC
Product		Control Unit
Model		Spring
Type		Flush
Contact		1NO
Color		Green
Illumination		with LED
Dia		22 mm
Current	<b>Ie</b>	4 A (250V AC)
Usage Category		AC 15
Power Consumption		0.7 W
Mechanical Life	<b>Min Qty</b>	500000
Electrical Life	<b>Min Qty</b>	100000
Operating Frequency	<b>On-Off/Hour</b>	Mech. 1200 Elec. 1200
Insulation Voltage	<b>Ui</b>	300V
Impulse Withstand Voltage	<b>Uimp</b>	2.5 kV
Dielectric Strength (Body-Contact)		2.500V AC
Dielectric Strength (Contact-Contact)		1.500V AC
Isolation Resistance		10 MΩ min. (500V DC)
Operating Temperature		-15 / + 70 °C
Pollution Degree		3
Protection Degree		IP50
Contact Material		AgNi
Cable Section		1.5-2.5 mm <sup>2</sup>
Screw Torque		1,5 Nm
Short Circuit Breaking Capacity	<b>Ics</b>	1 kA

Production Time	31.12.1899 00:00:00			
Serial	B Series Plastic			
Specifications	Non-flammable V0 PA6.6 contact blocks			
	Various illumination contact blocks availability			
	Variety of products for all areas of application			
Standards / Certificates	IEC 60947-5-1	TS EN 60947-5-1	UL 508	VDE 0660
   				



Montaj Ölçüsü  $\phi 22.4 \pm 0.2$  mm



Devre Şeması

