

## Overview

### Product information



## DC10-11020000001

Screw type Din-Rail TB, connector method: Screw/plug-in connector, Rated voltage: 1000 V, Rated current: 57 A, Number of connectors: 2, Number of potentials: 1, Cross section: 0.5 mm<sup>2</sup> - 10 mm<sup>2</sup>, AWG: 20 - 6, Width: 10 mm, Color: gray, Mounting type: NS 35/7.5, NS 35/15

### Product advantages

- Steel screw connection technology, reliable connection;
- Equipped with dual-channel bridge wells, circuit connection testing is more flexible;
- Unique plug-in bridge, high circuit connection efficiency;
- The box has a baffle to prevent mis-insertion;
- Can be matched with marker strips to avoid incorrect insertion of wires.

### Product certification



## Technical data

### Product drawing

### 3D model

□

### Overview

Number of rows	1
number of connections	2
Open-end side panels	Yes
Insulation Materials	PA
Flame retardant grade, in line with UL 94	V0
Insulating material group	I
standard test	IEC60947-7-1

Connection method	screw connection
-------------------	------------------

#### Dimension

width	10mm
End plate width	1.5mm
Height	42mm
NS 35/7,5 Height	43.5mm
NS 35/15 Height	51mm
length	44.95mm

#### Wiring data

Strip length	10~12mm
Conductor cross section solid AWG	20~6
Conductor cross section solid	0.5~10mm <sup>2</sup>
Conductor cross section flexible	0.5~10mm <sup>2</sup>
Conductor cross section flexible (ferrule without plastic sleeve)	0.5-10mm <sup>2</sup>
Conductor cross section flexible (ferrule with plastic sleeve)	0.5-10mm <sup>2</sup>
Screw type	Slotted screw
screw thread	M4
Tightening torque	1.54N.m

#### IEC Electrical parameters

Rated voltage (III / 3)	1000V
Rated current (III / 3)	57A
Rated surge voltage	8KV

#### UL Electrical parameters

Rated voltage	600V
---------------	------

Rated current	65A
---------------	-----

Environmental conditions

Ambient temperature (operation)	-40 °C ~ 105 °C (depending on derating curve)
Relative humidity (storage/transport)	25%~75%
Ambient temperature (storage / transport)	-25°C~60°C

Mechanical performance test

Mechanical strength	Passed the test
Fixing support	Passed the test
Rotational Pull Test	Passed the test

Electrical performance test

Voltage drop	≤3.2mV
Temperature rise test	≤45 K

Safety test

Anti-finger touch	Passed the test
-------------------	-----------------

Environmental protection

RoHS	No excessive harmful substances
REACH SVHC	Lead 7439-92-1

Accessories

Marker

Top marker	/
Side marker	ZB10
Marker support	/

Accessories

Slotted screwdriver size (Blade thickness x Width)	1×4
--	-----

Bridge	DFA10
End cover	D-DC6
Partition plate	/

#### Installation

End clamp	E-WS N / E-PC-1100A
Terminal strip marker support	KLM3-20x8 / KLM3-44x8 / DLM2 / DBE-1 / DBE-2
DIN rail	NS35/7.5 & NS35/15

#### Marking & Installation

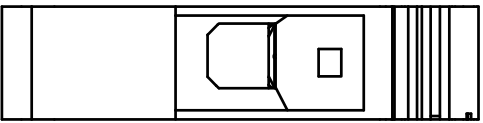
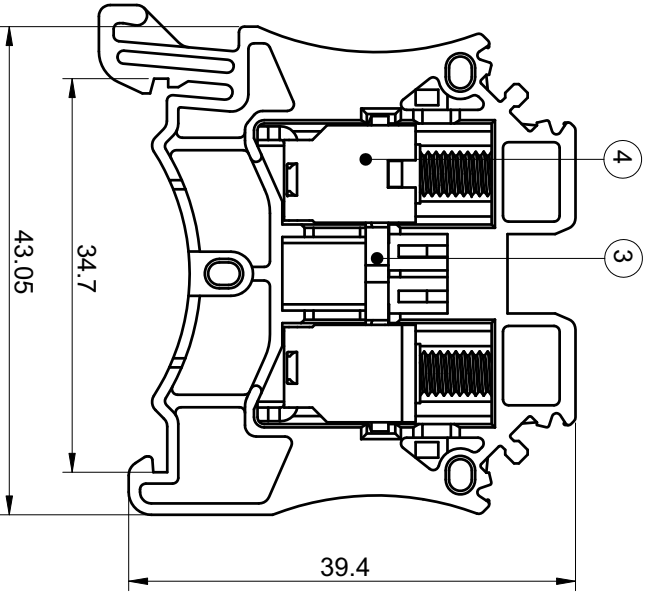
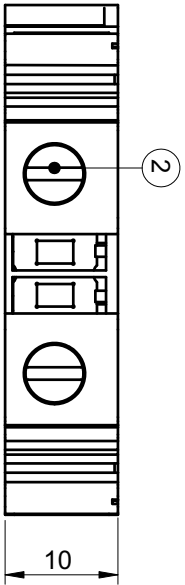
Marking strip	ZB10
Marker cards	DBE-1

#### Accessories

End cover	D-DC6
Bridge	DFA10
End clamp	E-WS
DIN rail	NS35/7.5-1000-00A(H)

#### Business data

Order number	11020000001
Packing unit	50
Minimum order quantity	50
Products weight (without packaging)	15.424

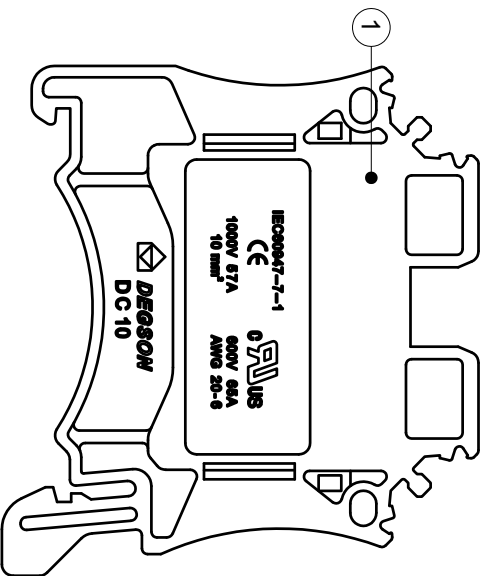


General Tolerances(mm)														
0	>3	>6	>10	>18	>30	>50	>80	>120	>180	>250	>315	>400	>500	0.1/10
3	~	~	~	~	~	~	~	~	~	~	~	~	~	±2°
6	10	18	30	50	80	120	180	250	315	400	500	600	800	
±0.12	±0.18	±0.22	±0.26	±0.31	±0.37	±0.57	±0.80	±0.93	±1.05	±1.15	±1.60	±2.20	±2.50	

UL Standard:	B	C	D
Rated Voltage(V)/Current(A)	600/65	600/65	600/5

IEC Standard:

Overvoltage Category/Pollution Degree	III/3	III/2	II/2
Rated Voltage(V)/Current(A)	1000/57	/	/
Rated Voltage(V)/Current(A)	1000/57	/	/
Rate Impulse Voltage(KV)	8	/	/
Torque Tightening(N·m/In·lb)	M4: 1.5N/14	/	/
Wire Range (rigid and flexible)(AWG/Gmm²)	20-6 / 0.5-1.0	/	/
Pitch(mm)/Poles	10.0/01P	/	/
Slipping length(mm)	10-12	/	/
Operating temperature(°C)	-40~+105	/	/
Conform to RoHS	Yes	/	/
Standard color number: PANTONE /RAL	/	/	/



4	Cage	Steel	Zn Plated
3	Current carrier	Copper	Sn plated
2	Screw	Steel	M4/Zn Plated
1	Housing	PA66	Grey

MATERIAL:	SURFACE/COLOR:	NOTES
MAT NO./REV: /	MAT STATUS:/	

DC10-01P-1Y-00A(H)

APPR:	Peng M	2022.08.21	NAME	/ /	MAT STATUS:/
CHKD:	Gao WG	2022.08.21	DRAWING NO.	DC10-01P-1Y-00A(H)	
DRFT:	Huang RJ	2022.08.21	TYPE	CUSTOMER DRAWING	DRAWING STATUS
DRFT:	A4	(mm)	SCALE	1.5:1	SHEET 1/1

00	/	/	Huang RJ	2022.08.21
REV	EON	DESCRIPTION	DRFT	DATE