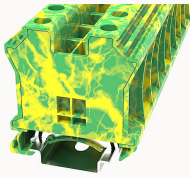


## Overview

### Product information



## DC35-PE-11020000034

Screw type Din-Rail TB, connector method: Screw/plug-in connector, Number of connectors: 2, Number of potentials: 1, Cross section: 2.5 mm<sup>2</sup> - 50 mm<sup>2</sup>, AWG: 14 - 1/0, Width: 16 mm, Color: green-yellow, Mounting type: NS 35/7.5, NS 35/15

### Product advantages

- Steel screw connection technology, reliable connection;
- Grounding structure, protection circuit;
- Can be matched with marker strips to avoid incorrect insertion of wires.

### Product certification



## Technical data

### Product drawing

### 3D model

□

### Overview

Number of rows	1
number of connections	2
Open-end side panels	no
Insulation Materials	PA
Flame retardant grade, in line with UL 94	V0
Insulating material group	I
standard test	IEC60947-7-2
Connection method	screw connection

## Dimension

width	16mm
End plate width	/
Height	60.8mm
NS 35/7,5 Height	61.3mm
NS 35/15 Height	68.8mm
length	55.4mm

## Wiring data

Strip length	12~13mm
Conductor cross section solid AWG	14~1/0
Conductor cross section solid	2.5~50mm <sup>2</sup>
Conductor cross section flexible	2.5~50mm <sup>2</sup>
Conductor cross section flexible (ferrule without plastic sleeve)	1.5-35mm <sup>2</sup>
Conductor cross section flexible (ferrule with plastic sleeve)	1.5-35mm <sup>2</sup>
2 flexible conductors with a TWIN ferrule	1.5-10mm <sup>2</sup>
Screw type	Slotted screw
screw thread	M6
Tightening torque	2.5N.m

## IEC Electrical parameters

Rated voltage (III / 3)	/
Rated current (III / 3)	/

## IEC Electrical parameters

Rated surge voltage	8KV
---------------------	-----

## UL Electrical parameters

Rated voltage	/
Rated current	/

**Environmental conditions**

Ambient temperature (operation)	-40 °C ~ 105 °C (depending on derating curve)
Relative humidity (storage/transport)	25%~75%
Ambient temperature (storage / transport)	-25°C~60°C

**Mechanical performance test**

Mechanical strength	Passed the test
Fixing support	Passed the test
Rotational Pull Test	Passed the test

**Electrical performance test**

Voltage drop	≤3.2mV
Temperature rise test	≤45 K

**Safety test**

Anti-finger touch	Passed the test
-------------------	-----------------

**Environmental protection**

RoHS	No excessive harmful substances
REACH SVHC	Lead 7439-92-1

**Accessories**

**Marker**

Top marker	/
Side marker	ZT12
Marker support	/

**Accessories**

Slotted screwdriver size (Blade thickness x Width)	1×6.5
Bridge	/
End cover	/
Partition plate	/

#### Installation

End clamp	E-WS N / E-PC-1100A
Terminal strip marker support	KLM3-20x8 / KLM3-44x8 / DLM2 / DBE-1 / DBE-2
DIN rail	NS35/7.5 & NS35/15

#### Marking & Installation

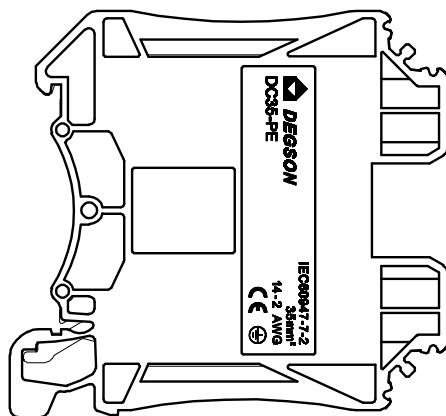
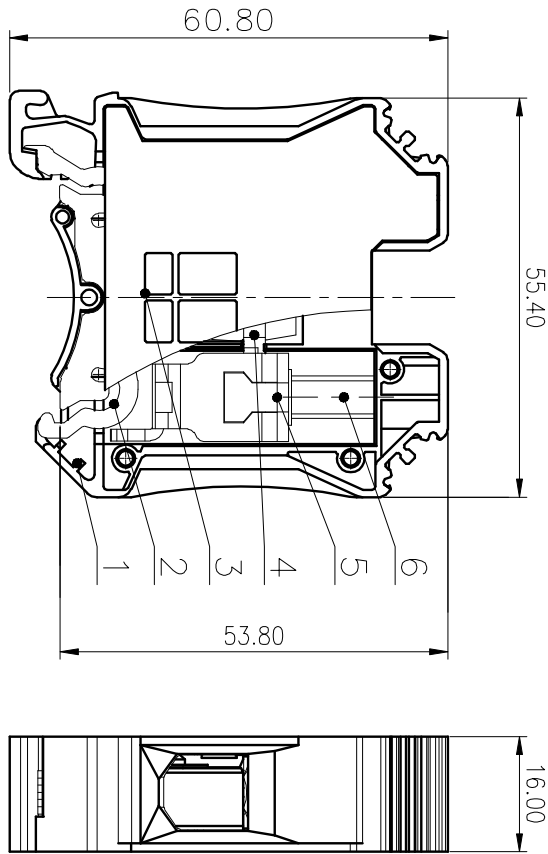
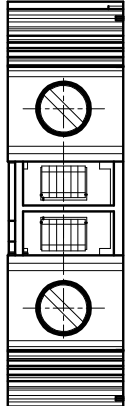
Marking strip	ZB10
Marker cards	DBE-1

#### Accessories

End clamp	E-WS
DIN rail	NS35/7.5-1000-00A(H)

#### Business data

Order number	11020000034
Packing unit	25
Minimum order quantity	25
Products weight (without packaging)	72.008



General tolerances(mm)														
0	>3	>6	>10	>18	>30	>50	>80	>120	>180	>250	>315	>400	>500	0.1/1.0
~	~	~	~	~	~	~	~	~	~	~	~	~	~	IT
3	6	10	18	30	50	80	120	180	250	315	400	500		
+0.12	+0.18	+0.22	+0.26	+0.31	+0.37	+0.57	+0.80	+0.93	+1.05	+1.15	+1.60	+2.20	+2.50	

ITEM	NAME OF PART	MATERIAL	NOTES
1	Housing	PA66	UL94V-0
2	Grounding body	Copper alloy	Sn Plated
3	Cover	PA66	UL94V-0
4	Current carrier	Copper	Sn Plated
5	Cage	Steel	Zn Plated
6	Screw	Steel	M6\Zn Plated

REV	EON	DESCRIPTION	DRT	DATE
1				

MATERIAL: /	SURFACE: /
MAT NO.: /	
STATUS: /	
APPD: Li GL 2020.05.25	NAME: <b>DEGSON® DEGSON GERMANY GmbH</b>
CHKD: Mao J 2020.05.25	
DRT:Wang LX 2020.05.25	DRAWING NO.: DC35-PE-C01
	TYPE: CUSTOMER DRAWING
	SCALE: 1:1
	REV TO-2
	1/1 SHEET

UL Standard:	B	C	D
Rated Voltage(V)/Current(A)	/	/	/
IEC Standard:	/	/	/
Overvoltage Category/ Pollution Degree	III/3	/	/
Rated Voltage(V)/Current(A)	/	/	/
Rate Impulse Voltage(KV)	8.0	/	/
Torque Tightening(N·m/Lb.in)	M6: 3.5/31		
Wire Range(rigid and flexible)(mm <sup>2</sup> /AWG)	14~2/2.5~35		
Pitch(mm)	16.0		
Stripping length(mm)	14-16		
Operating temperature(°C)	-40~+105		
Conform to RoHS	Yes		
Standard color number:	/		
PANTONE / RAL	/		