

## Overview

### Product information



## DC4-HE-LD250-11020000121

Screw type Din-Rail TB, connector method: Screw/plug-in connector, Rated voltage: 250 V, Rated current: 6.3 A, Number of connectors: 2, Number of potentials: 1, Cross section: 0.5 mm<sup>2</sup> - 4mm<sup>2</sup>, AWG: 22 - 10, Width: 8 mm, Fuse type: Glass/ceramic/..., Fuse type: G / 5 x 20, Color: black, Suitable for 24 V DC LED, Mounting type: NS 35/7.5, NS 35/15.

### Product advantages

- Fuse terminal blocks;
- Steel screw connection technology, reliable connection;
- The box has a baffle to prevent mis-insertion;
- Can be matched with marker strips to avoid incorrect insertion of wires.

### Product certification



## Technical data

### Product drawing

### 3D model

□

### Overview

Number of rows	1
number of connections	2
Open-end side panels	Yes
Insulation Materials	PA
Flame retardant grade, in line with UL 94	V0
Insulating material group	I
standard test	IEC60947-7-3

fuse	G/5 x 20
Fuse type	Glass/ceramic/...
Connection method	screw connection

#### Dimension

width	8mm
End plate width	1.5mm
Height	46.5mm
NS 35/7,5 Height	48mm
NS 35/15 Height	55.5mm
length	58mm

#### Wiring data

Strip length	8~9mm
Conductor cross section solid AWG	22~10
Conductor cross section solid	0.5~6mm <sup>2</sup>
Conductor cross section flexible	0.5~4mm <sup>2</sup>
Conductor cross section flexible (ferrule without plastic sleeve)	0.5~4mm <sup>2</sup>
Conductor cross section flexible (ferrule with plastic sleeve)	0.5~2.5mm <sup>2</sup>
2 flexible conductors with a TWIN ferrule	0.5~1.5mm <sup>2</sup>
Screw type	Slotted screw
screw thread	M3
Tightening torque	0.6N.m

#### IEC Electrical parameters

Rated voltage (III / 3)	250V
Rated current (III / 3)	6.3A

Rated surge voltage	6KV
---------------------	-----

**UL Electrical parameters**

Rated voltage	/
Rated current	/

**Environmental conditions**

Ambient temperature (operation)	-40 °C ~ 105 °C (depending on derating curve)
Relative humidity (storage/transport)	25%~75%
Ambient temperature (storage / transport)	-25°C~60°C

**Mechanical performance test**

Mechanical strength	Passed the test
Fixing support	Passed the test
Rotational Pull Test	Passed the test

**Electrical performance test**

Voltage drop	≤3.2mV
Temperature rise test	≤45 K

**Safety test**

Anti-finger touch	Passed the test
-------------------	-----------------

**Environmental protection**

RoHS	No excessive harmful substances
REACH SVHC	Lead 7439-92-1

**Accessories**

**Marker**

Top marker	/
Side marker	ZB8

Marker support	/
----------------	---

#### Accessories

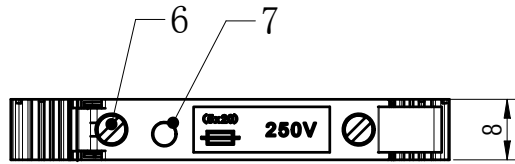
Slotted screwdriver size (Blade thickness x Width)	0.6×3.5
Bridge	EBC2-8 / EBC3-8 / EBC10-8
End cover	D-DC4-HE
Partition plate	/

#### Installation

End clamp	E-WS N / E-PC-1100A
Terminal strip marker support	KLM3-20x8 / KLM3-44x8 / DLM2 / DBE-1 / DBE-2
DIN rail	NS35/7.5 & NS35/15

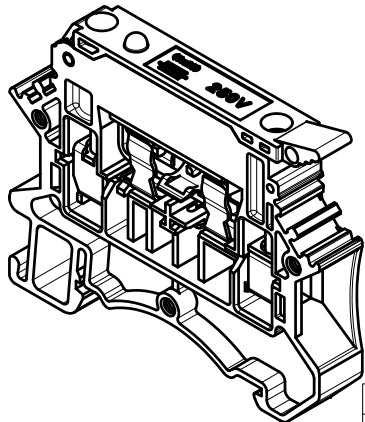
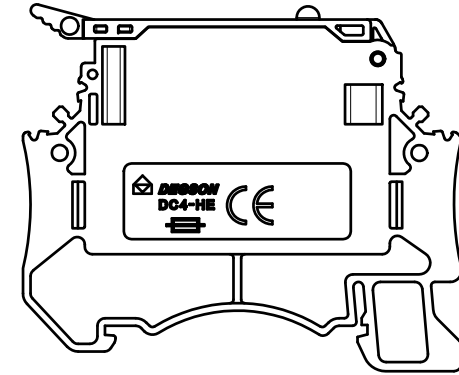
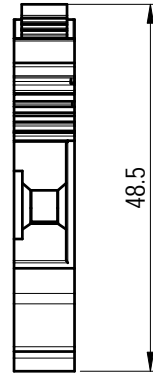
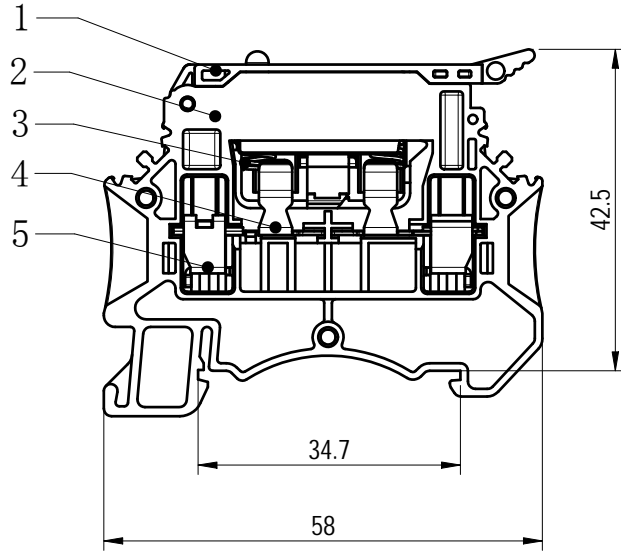
#### Business data

Order number	11020000121
Packing unit	50
Minimum order quantity	50
Products weight (without packaging)	12.2



未注公差/General tolerances (mm)											0.1/10			
0	>3	>6	>10	>18	>30	>50	>80	>120	>180	>250		>315	>400	>500
3	6	10	18	30	50	80	120	180	250	315	400	500	>500	
±0.12	±0.18	±0.22	±0.26	±0.31	±0.37	±0.57	±0.80	±0.93	±1.05	±1.15	±1.60	±2.20	±2.50	±2'

UL 标准/UL Standard:	B	C	D
额定电压/电流/Rated Voltage(V)/Current(A)	/	/	/
IEC 标准/IEC Standard:			
过压类别/Overvoltage Category/污染等级/Pollution Degree	III/3	III/2	II/2
额定电压/电流/Rated Voltage(V)/Current(A)	250/6.3	/	/
额定脉冲电压(KV)/Rate Impulse Voltage(KV)	/	/	/
螺丝扭矩/Torque Tightening(N·m/Lb.in)	M3, 0.5/4.43		
线径范围(硬线和软线)/Wire Range(rigid and flexible)(AWG/mm <sup>2</sup> )	22~10 / 0.5~4, 6(Sol)		
间距/Pitch(mm)/线数范围/Poles	8.0/01P		
剥线长度/Stripping length(mm)	9		
使用温度范围/Operating temperature(°C)	-40~+105		
符合 RoHS 环保要求/Conform to RoHS	Yes		



7	LED lamp assembly	/	/
6	Screw	Steel	Zn plated
5	Cage	Steel	Zn plated
4	Clamp	Copper	Sn plated
3	Spring	Stainless steel	/
2	Body housing	PA66	UL94V-0
1	Fuse housing	PA66	UL94V-0
ITEM	NAME OF PART	MATERIAL	NOTES

		MATERIAL: /		SURFACE/COLOR: /	
APPD: Peng M 2022.08.20		MAT NO./REV: / /		MAT STATUS: /	
CHKD: Gao WG 2022.08.20		NAME			
DRFT: Huang RJ 2022.08.20		DC4-HE-LD250-01P-1Y-00A (H)			
DRAWING NO. /		TYPE		DRAWING STATUS	
A4		CUSTOMER DRAWING		/	
SCALE 1:1		SHEET 1/1			

00	/	/	Huang RJ	2022.08.20
REV	ECN	DESCRIPTION	DRFT	DATE

Transfer or duplication of this document as well as the utilization or communication of its content are prohibited unless authorized in writing by Degson. All rights reserved for patent. 未经授权，禁止复制或传播本文件内容。未经许可，不得在任何场合使用本文件内容。如有侵权，必究。