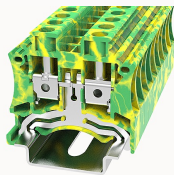


## Overview

### Product information



## DC6-PE-11020000057

Screw type Din-Rail TB, connector method: Screw/plug-in connector,  
 Number of connectors: 2, Number of potentials: 1, Cross section: 0.5 mm<sup>2</sup> -  
 6 mm<sup>2</sup>, AWG: 22 - 8, Width: 8 mm, Color: green-yellow, Mounting type:  
 NS 35/7.5, NS 35/15

### Product advantages

- Steel screw connection technology, reliable connection;
- Grounding structure, protection circuit;
- The box has a baffle to prevent mis-insertion;
- Can be matched with marker strips to avoid incorrect insertion of wires.

### Product certification



## Technical data

### Product drawing

### 3D model

### Overview

|   |                  |
|---|------------------|
| Number of rows                            | 1                |
| number of connections                     | 2                |
| Open-end side panels                      | Yes              |
| Insulation Materials                      | PA               |
| Flame retardant grade, in line with UL 94 | V0               |
| Insulating material group                 | I                |
| standard test                             | IEC60947-7-2     |
| Connection method                         | screw connection |

#### Dimension

|                  |         |
|------------------|---------|
| width            | 8mm     |
| End plate width  | 1.5mm   |
| Height           | 42mm    |
| NS 35/7,5 Height | 43.5mm  |
| NS 35/15 Height  | 51mm    |
| length           | 44.95mm |

#### Wiring data

|   |                        |
|---|------------------------|
| Strip length  | 10~11mm                |
| Conductor cross section solid AWG                                 | 22~8                   |
| Conductor cross section solid                                     | 0.5~6mm <sup>2</sup>   |
| Conductor cross section flexible                                  | 0.5~6mm <sup>2</sup>   |
| Conductor cross section flexible (ferrule without plastic sleeve) | 0.5~4mm <sup>2</sup>   |
| Conductor cross section flexible (ferrule with plastic sleeve)    | 0.5~4mm <sup>2</sup>   |
| 2 flexible conductors with a TWIN ferrule                         | 0.5~2.5mm <sup>2</sup> |
| Screw type  | Slotted screw          |
| screw thread  | M4                     |
| Tightening torque   | 1.2N.m                 |

#### IEC Electrical parameters

|                      |   |
|----------------------|---|
| Rated voltage(III/3) | / |
| Rated current(III/3) | / |

#### IEC Electrical parameters

|                     |     |
|---------------------|-----|
| Rated surge voltage | 8KV |
|---------------------|-----|

#### UL Electrical parameters

|               |   |
|---------------|---|
| Rated voltage | / |
| Rated current | / |

#### Environmental conditions

|   |   |
|---|---|
| Ambient temperature (operation)           | -40 °C ~ 105 °C (depending on derating curve) |
| Relative humidity (storage/transport)     | 25%~75%                                       |
| Ambient temperature (storage / transport) | -25°C~60°C                                    |

#### Mechanical performance test

|                      |                 |
|----------------------|-----------------|
| Mechanical strength  | Passed the test |
| Fixing support       | Passed the test |
| Rotational Pull Test | Passed the test |

#### Electrical performance test

|                       |        |
|-----------------------|--------|
| Voltage drop          | ≤3.2mV |
| Temperature rise test | ≤45 K  |

#### Safety test

|                   |                 |
|-------------------|-----------------|
| Anti-finger touch | Passed the test |
|-------------------|-----------------|

#### Environmental protection

|            |                                 |
|------------|---------------------------------|
| RoHS       | No excessive harmful substances |
| REACH SVHC | Lead 7439-92-1                  |

#### Accessories

##### Marker

|                |     |
|----------------|-----|
| Top marker     | /   |
| Side marker    | ZB8 |
| Marker support | /   |

##### Accessories

|  |           |
|--|-----------|
| Slotted screwdriver size (Blade thickness x Width) | 1×4       |
| Bridge   | DFAXX-8.2 |
| End cover  | D-DC6     |
| Partition plate                                    | /         |

#### Installation

|                               |  |
|-------------------------------|--|
| End clamp                     | E-WS N / E-PC-1100A                          |
| Terminal strip marker support | KLM3-20x8 / KLM3-44x8 / DLM2 / DBE-1 / DBE-2 |
| DIN rail                      | NS35/7.5 & NS35/15                           |

#### Marking & Installation

|               |       |
|---------------|-------|
| Marking strip | ZB8   |
| Marker cards  | DBE-1 |

#### Accessories

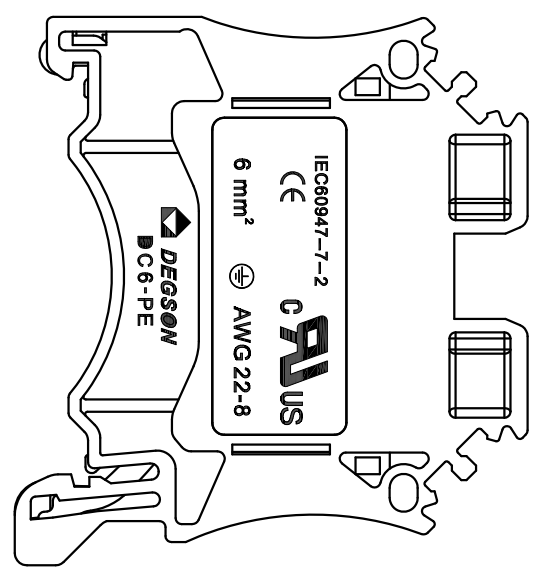
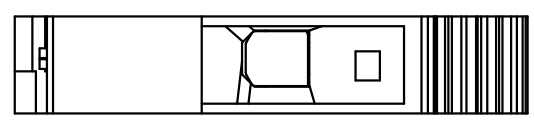
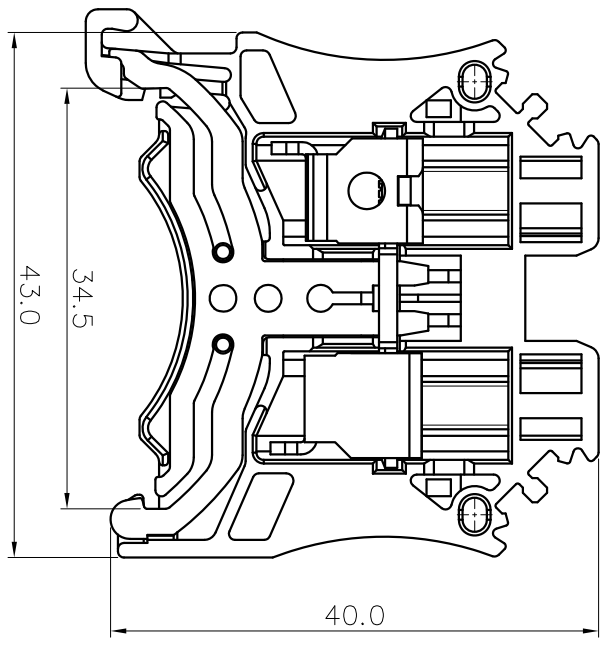
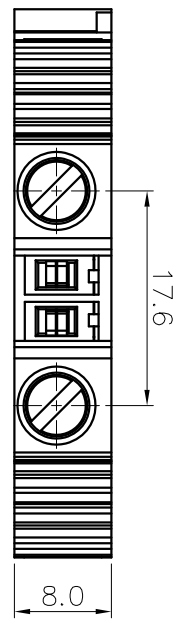
|           |                      |
|-----------|----------------------|
| End cover | D-DC6                |
| End clamp | E-WS                 |
| DIN rail  | NS35/7.5-1000-00A(H) |

#### Business data

|                                     |             |
|-------------------------------------|-------------|
| Order number                        | 11020000057 |
| Packing unit                        | 50          |
| Minimum order quantity              | 50          |
| Products weight (without packaging) | 14.776      |

REVISION RECORD

| REV | ECN | DESCRIPTION | DRFT | DATE |
|-----|-----|-------------|------|------|
|     |     |             |      |      |



- NOTES1:  
 UL Standard  
 1. Torque value : M4 , 14lb.in  
 2. Wire range : 22~8AWG  
 IEC Standard  
 1. Torque value : M4 , 1.2N.m  
 2. Wire range : 0.5~6mm²

- NOTES2:  
 1. Dimension shall be interpreted per ASME Y14.5-2009  
 2. Pitch : 8.0mm, Poles : N=01P  
 3. Stripping length : 10~12mm  
 4. Operating temperature: -40C~+105C  
 5. Undimensioned tolerances:

| Pitch | Range |       | In    |       | Nominal Dimension |       | Range |       | mm     |
|-------|-------|-------|-------|-------|-------------------|-------|-------|-------|--------|
|       | Over  | TO    | In    | TO    | Over              | TO    | Over  |       |        |
| 6     | ±0.15 | ±0.20 | ±0.30 | ±0.30 | ±0.50             | ±0.70 | ±1.00 | ±1.30 | ±2°    |
| 10    | ±0.10 | ±0.10 | ±0.24 | ±0.30 | ±0.60             | ±1.00 | ±1.50 | ±2°   | 0.1/10 |
| 15    | ±0.10 | ±0.10 | ±0.30 | ±0.30 | ±0.60             | ±1.00 | ±1.50 | ±2°   | 0.1/10 |

6. RoHS Compliance

DC6-PE - 01P - 1C - 00A (H)  
 (Series No.) (Poles) (Single Pitch) (RoHS)  
 00A - (Standard)  
 00A - (Color): 1. (Grey)  
 2. (Blue)  
 3. (Black)  
 4. (Green)  
 5. (Orange)  
 6. (Red)  
 7. (Transparent)  
 8. (Yellow)  
 9. (White)  
 C. (Yellow and green)

| DETACHED LISTS         |                  | NAME:                       |     |
|------------------------|------------------|-----------------------------|-----|
| PART NO.:              | /                | DEGSON® DEGSON GERMANY GmbH |     |
| APPD:                  | /                | DC6-PE                      |     |
| CHKD:                  | /                |                             |     |
| DRFT:                  | /                |                             |     |
| TITLE:                 | CUSTOMER DRAWING | REV                         | DO  |
| DRAWING NO.:           | /                | SHEET                       | 1/1 |
| THIRD ANGLE PROJECTION |                  | SCALE                       | 1:1 |

