

Overview

Product information



D3A-SE-2g-PG11-21010000128

3AHoods,double levers,side entry,PG11 Thread hole

Product advantages

- Metal or high-strength plastic material, resistant to high-strength mechanical shock;
- Various installation methods and outlet directions to meet on-site wiring requirements;
- Snap-in combination structure, dustproof, waterproof, easy operation;

Product certification



Technical data

Marking

classification	Upper Housing/base
Series	A
Type	Top housing
Specification	Low structure

versions

Dimension	3A
locking Category	Single lock
Wiring method	Side entry
Thread specification	1x PG11

Material characteristics

RoHS	conform
Material (upper housing/base)	Die-cast zinc alloy
Material(upper housing/base)	spray
Color (upper housing/base)	Grey (RAL 7037)

Technical specification

Limiting temperatures	-40°C~+125°C
IP class	IP65

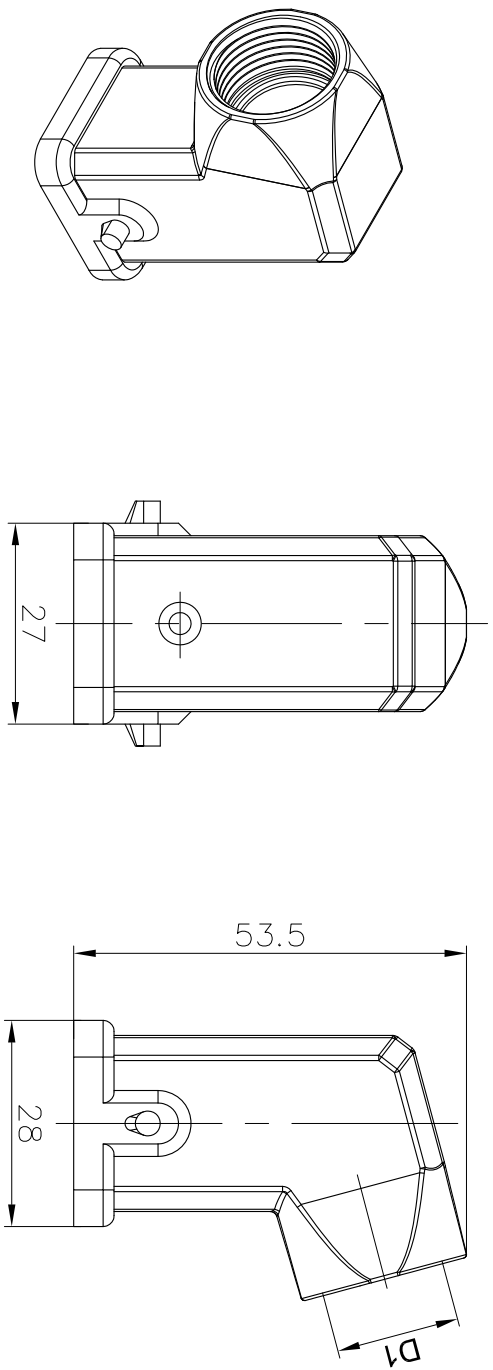
Accessories

Business data

Order number	21010000128
Packing unit	100
Minimum order quantity	1
Products weight (without packaging)	70

REVISION RECORD			
REV	ECN	DESCRIPTION	DATE

TYPE	Thread(D1)	Selection
D3A-SE-2g-PG11	PG11	
D3A-SE-2g-M20	M20	



Hoods Feature

1. Material: Zinc die-cast
2. Surface: Powder-coated
3. Color: grey (RAL 7037)
4. Limiting temperatures: -40°C ~ +125°C
5. Flammability acc to UL94: V0
6. Degree of protection acc. to EN60529 for coupled connector : IP65
7. Rohs compliance

DETACHED LISTS			
PART NO.:	DEGSON DEGSON GERMANY GmbH	NAME:	D3A-SE-2g-M/PG
APPD:		TITLE:	CUSTOMER DRAWING
CHKD:		DRAWING NO.:	
DRAFT:	Mr. yong 2017/06/28	REV:	DO-1
THIRD ANGLE PROJECTION		SHEET:	1/1
		SCALE:	1:1

A 8 7 6 5 4 3 2 1

Overview

Product information



DA-004-M-21020000004

Heavy-duty insert, Number of contacts: 4+PE, Dimension: 3A, Rated voltage: 400/230V, Rated current: 10A, Male insert, Screw connector

Product advantages

- Screw connection technology, applicable to a wide range of wire specifications;
- No need special tools, easy to operate;
- Less materials, easy to manage;
- With grounding protection.

Product certification



Technical data

Marking

classification	Insert
Series	DA

versions

Connection method	Screw connection
Female/Male	Male
Dimension	3A
Number of positions	4
PE Contacts	Yes

Material characteristics

Material (insert)	Polycarbonate (PC)
Material (Contact)	Copper alloy
Surface (Contact)	Silver plated
Flammability rating	V-0
color	Grey/White (RAL 7032)
RoHS	Comply with RoHS exemptions

Electrical parameters

Rated current	10A
	400/230V
Rated pulse voltage	4KV
Pollution level	3
On the basis of UL /CSARated current	600V
Insulation resistance	$\geq 10000M\Omega$
Contact resistance	$\leq 1m\Omega$
Temperature range	-40°C~+125°C
working life-mating cycles	≥ 500 time
Strip length	4.5mm
Rated torque	0.25N.m
Conductor cross sections (mm ²)	0.75-1.5mm ²
Conductor cross sections(AWG)	18-16AWG

Standards

Connection meets standards	DIN EN 60664 DIN EN 61984
----------------------------	---------------------------

Accessories

Accessories

Screwdriver

/

Business data

Order number	21020000004
Packing unit	100
Minimum order quantity	5
Products weight (without packaging)	14.26


REVISION RECORD				
REV	ECN	DESCRIPTION	DRFT	DATE

Technical characteristics:

Specifications

DIN EN 60 664-1

DIN EN 61 984

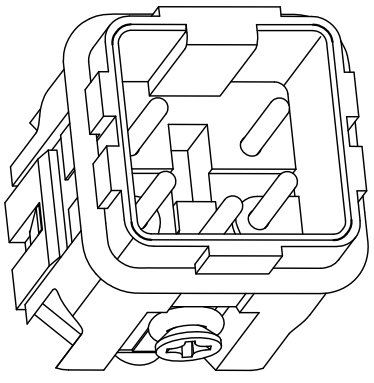
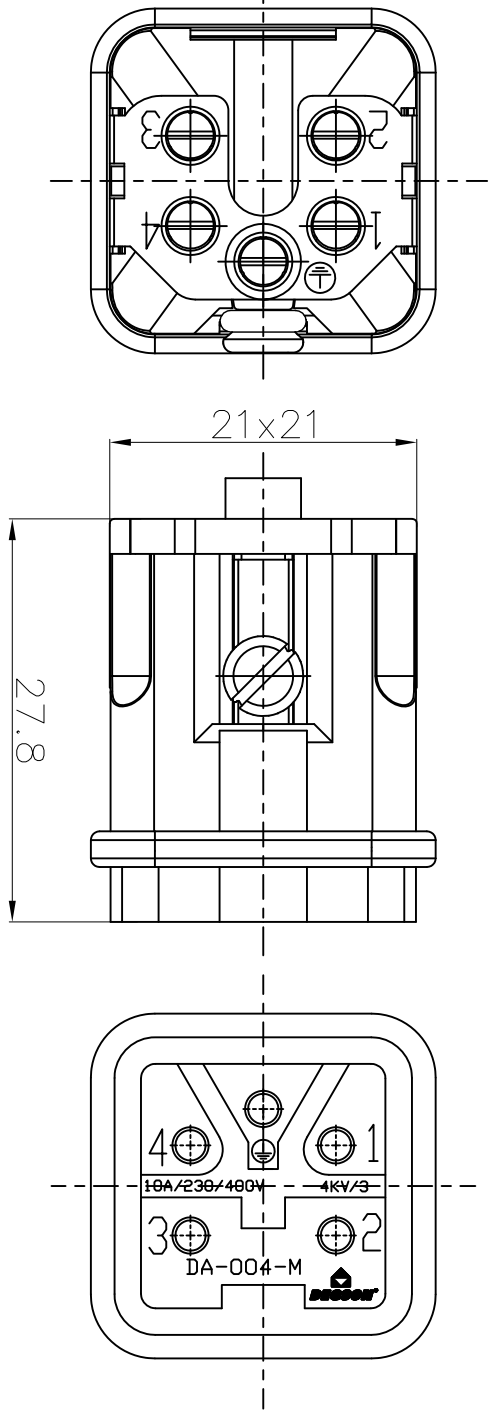
Approvals: 



Inserts

- 01. Number of contacts : 4+PE
- 02. Rated Current : 10A
- 03. Rated Voltage conductor-ground : 230V
- 04. Rated Voltage conductor-conductor : 400V
- 05. Pollution degree : 3
- 06. Rated impulse voltage : 4kV
- 07. or: 10A/250V/4kV/3
- 08. Insulation resistance : $\geq 10 \Omega^{10}$
- 09. Material: Polycarbonate
- 10. Colour: RAL 7032 (Light grey)
- 11. Rated voltage acc. to UL/CSA: 600V
- 12. Limiting temperatures : -40°C ~ +125°C
- 13. Flammability acc. to UL94: V0
- 14. Mechanical working life (mating cycles) : ≥ 500

Contacts

- 01. Material: Copper alloy
- 02. Surface: hard-silver plated
- 03. Contact resistance : $\leq 2m\Omega$
- 04. Terminal : Screw terminal
- 05. Wire gauge : 1.0-2.5mm² (AWG 18-14)
- 06. Tightening torque : 0.25Nm
- 07. Stripping length : 4.5mm
- 08. Rohns Compliance



DETACHED LISTS			
PART NO.:	DA004M	NAME:	 DEGSON GERMANY GmbH
APPD:		TITLE:	CUSTOMER DRAWING
CHKD:		DRAWING NO.:	DA-004-M-E01
DRFT:	Mr. Yang 2016.06.16	REV	DO-1
THIRD ANGLE PROJECTION		SHEET	1/1
		DO NOT SCALE DRAWING	SCALE
			2:1

A 8 7 6 5 4 3 2 1

Overview

Product information



DA-004-F-2102000003

Heavy-duty insert, Number of contacts: 4+PE, Dimension: 3A, Rated voltage: 400/230V, Rated current: 10A, Female insert, Screw connector

Product advantages

- Screw connection technology, applicable to a wide range of wire specifications;
- No need special tools, easy to operate;
- Less materials, easy to manage;
- With grounding protection.

Product certification



Technical data

Marking

classification	Insert
Series	DA

versions

Connection method	Screw connection
Female/Male	Female
Dimension	3A
Number of positions	4
PE Contacts	Yes

Material characteristics

Material (insert)	Polycarbonate (PC)
Material (Contact)	Copper alloy
Surface (Contact)	Silver plated
Flammability rating	V-0
color	Grey/White (RAL 7032)
RoHS	Comply with RoHS exemptions

Electrical parameters

Rated current	10A
	400/230V
Rated pulse voltage	4KV
Pollution level	3
On the basis of UL /CSARated current	600V
Insulation resistance	$\geq 10000M\Omega$
Contact resistance	$\leq 1m\Omega$
Temperature range	-40°C~+125°C
working life-mating cycles	≥ 500 time
Strip length	4.5mm
Rated torque	0.25N.m
Conductor cross sections (mm ²)	0.75-1.5mm ²
Conductor cross sections(AWG)	18-16AWG

Standards

Connection meets standards	DIN EN 60664 DIN EN 61984
----------------------------	---------------------------

Accessories

Accessories

Screwdriver

/

Business data

Order number	2102000003
Packing unit	100
Minimum order quantity	5
Products weight (without packaging)	15.24

REVISION RECORD			
REV	ECN	DESCRIPTION	DRFT DATE

Technical characteristics:

Specifications
 DIN EN 60 664-1
 DIN EN 61 984

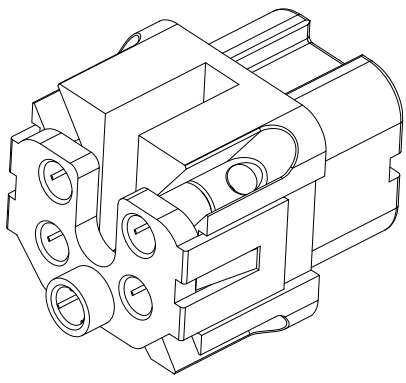
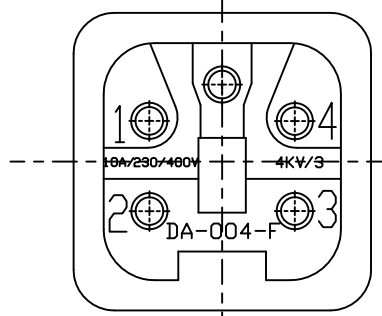
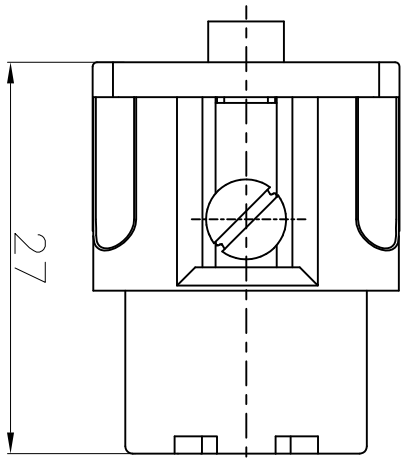
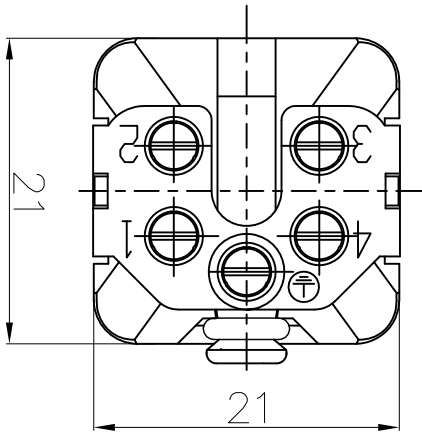
Approvals:

Inserts

- 01. Number of contacts : 4+PE
- 02. Rated Current : 10A
- 03. Rated Voltage conductor-ground : 230V
- 04. Rated Voltage conductor-conductor : 400V
- 05. Pollution degree : 3
- 06. Rated impulse voltage : 4kV
- 07. or: 10A/250V/4kV/3
- 08. Insulation resistance : $\geq 10 \Omega^{10}$
- 09. Material: Polycarbonate
- 10. Colour: RAL 7032 (Light grey)
- 11. Rated voltage acc. to UL/CSA: 600V
- 12. Limiting temperatures : -40°C ~ +125°C
- 13. Flammability acc. to UL94: V0
- 14. Mechanical working life (mating cycles) : ≥ 500

Contacts

- 01. Material: Copper alloy
- 02. Surface: hard-silver plated
- 03. Contact resistance : $\leq 2m\Omega$
- 04. Terminal : Screw terminal
- 05. Wire gauge : 1.0-2.5mm² (AWG 18-14)
- 06. Tightening torque : 0.25Nm
- 07. Stripping length : 4.5mm
- 08. Rohs Compliance

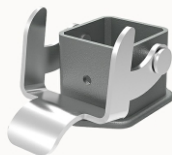


DETACHED LISTS			
PART NO.:	DA004F	DEGSON GERMANY GmbH	
APPD:			
CHKD:			
DRFT:	Mr. Yang 2016.06.16	NAME:	DA-004-F
THIRD ANGLE PROJECTION		TITLE:	CUSTOMER DRAWING
		DRAWING NO.:	DA-004-F-E01
			DO NOT SCALE DRAWING
			SCALE
			2:1

A 8 7 6 5 4 3 2 1

Overview

Product information



D3A-BK-1L-21010000118

3A Lower base, single buckle, no back cover

Product advantages

- Metal or high-strength plastic material, resistant to high-strength mechanical shock;
- Various installation methods and outlet directions to meet on-site wiring requirements;
- Snap-in combination structure, dustproof, waterproof, easy operation;

Product certification



Technical data

Marking

classification	Upper Housing/base
Series	A
Type	Hole mounting base
Specification	Low structure

versions

Dimension	3A
locking Category	Single lock

Material characteristics

Flammability rating	V-0
---------------------	-----

RoHS	conform
Material (upper housing/base)	Die-cast zinc alloy
Material(upper housing/base)	spray
Color (upper housing/base)	Grey (RAL 7037)
Material (seal)	NBR
Material (lock catch)	Stainless steel

Technical specification

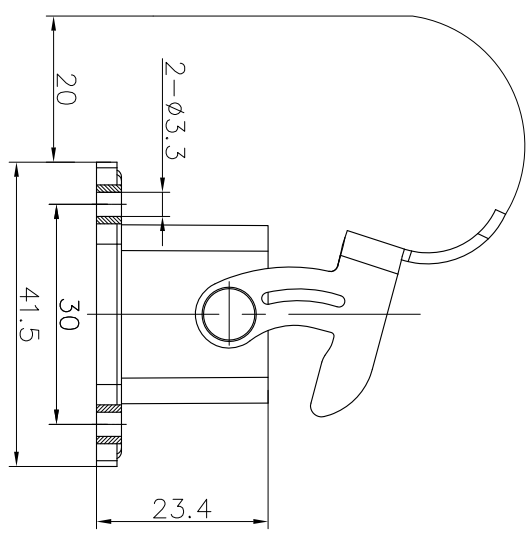
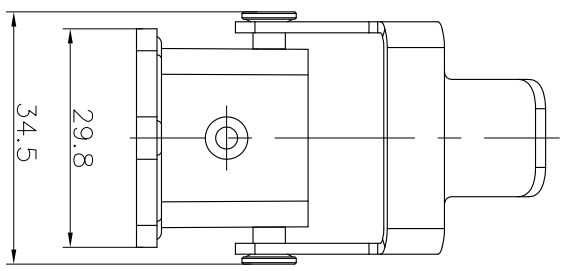
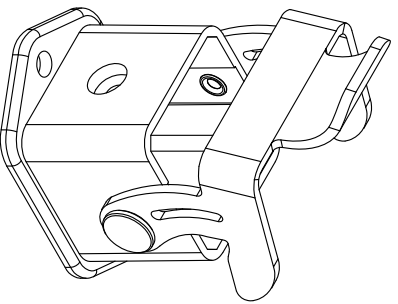
Limiting temperatures	-40°C~+125°C
IP class	IP65

Accessories

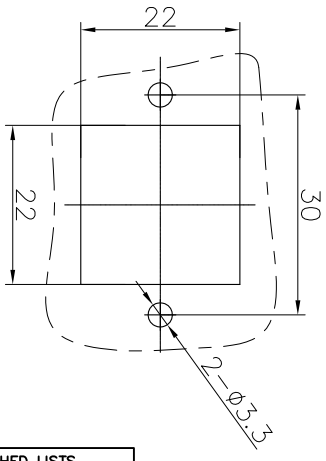
Business data

Order number	21010000118
Packing unit	100
Minimum order quantity	1
Products weight (without packaging)	34

REVISION RECORD				
REV	ECN	DESCRIPTION	DRFT	DATE



Panel cut out



Housings Feature:

1. Material: Zinc die-cast (Housings)
2. Colour: Grey (RAL7037)
3. Locking element, Lever type: Lever
4. Material: Metal zinc-plated (Lever)
5. Housings Seal: NBR
6. Limiting temperatures: -40°C ~ +125°C
7. Flammability acc. to UL94: V0
8. Degree of protection acc. TO DIN EN 60529 for coupled connector: IP65
9. Rohs Compliance

DETACHED LISTS			
PART NO.: D3ABK1L	NAME: DEGSON ® DEGSON GERMANY GmbH	REV	DO
APPD:		SHEET	1/1
CHKD:		SCALE	1:1
DRFT: Mr. Yang 2016.08.08	TITLE: CUSTOMER DRAWING	DO NOT SCALE DRAWING	
THIRD ANGLE PROJECTION	DRAWING NO.: /		

Overview

Product information



DDL-PG11M-21030000035

PG11 Metal Cable Gland

Product advantages

- Fix cables to prevent internal wiring from being affected by pulling, swinging and other factors;
- Waterproof and dustproof, support IP68 high protection level.

Product certification



Technical data

Marking

classification	Accessories
Accessories type	cable joint

Material characteristics

RoHS	Comply with RoHS exemptions
Material (sealing element)	NBR
Material (cable connector)	Copper alloy
Material (holding ring)	NBR
Surface technics	Nickel plating

Technical specification

Limiting temperatures	-40°C~+100°C
-----------------------	--------------

IP class	IP68
Wrench specifications	20
Thread specification	PG11
Clamping range	5-10mm

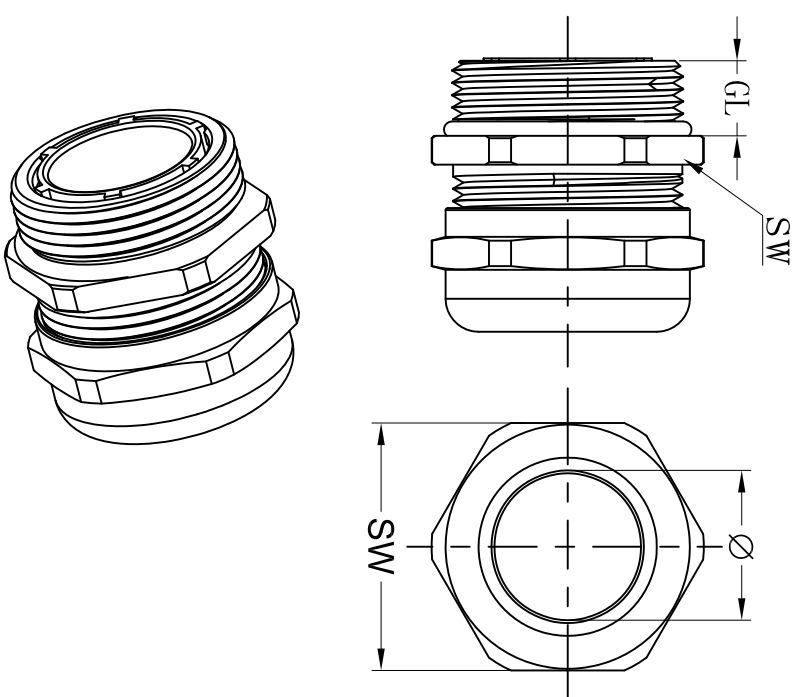
Accessories

Business data

Order number	21030000035
Packing unit	100
Minimum order quantity	5
Products weight (without packaging)	23.6

REVISION RECORD				
REV	ECN	DESCRIPTION	DRFT	DATE

Metric	PG	Claping range (∅)	SW	GL	Type
	Pg7	3-6.5	14	6.5	DDL-PG7M
	Pg9	4-8	17	7	DDL-PG9M
	Pg11	5-10	20	8	DDL-PG11M
	Pg13.5	6-12	22	8	DDL-PG13.5M
	Pg16	8-14	24	8	DDL-PG16M
	Pg21	13-18	30	8	DDL-PG21M
	Pg29	18-25	40	9	DDL-PG29M
	Pg36	22-32	50	10	DDL-PG36M
	Pg42	31-38	58	10	DDL-PG42M
	Pg48	37-44	64	12	DDL-PG48M
	M12x1.5	3-6.5	14	6.5	DDL-M12M
	M16x1.5	5-10	18	7	DDL-M16M
	M20x1.5	6-12	22	8	DDL-M20M
	M25x1.5	13-18	30	8	DDL-M25M
	M32x1.5	18-25	40	9	DDL-M32M
	M40x1.5	22-32	50	10	DDL-M40M
	M50x1.5	30-38	58	10	DDL-M50M
	M63x1.5	37-44	68	12	DDL-M63M



B Metal Cable gland
 Material: Brass nickel plated
 Seal Material: NBR
 Degree of protection: IP68
 Press seal material: PA
 Temperature range: -40~100°C

A 8 7 6 5 4 3 2 1

PART NO.: /		NAME: DEGSON® Metal Cable gland	
APPD: /		TITLE: CUSTOMER DRAWING	
CHKD: /		DRAWING NO.: /	
DRFT: Mr. Yung2016.08.18		DO NOT SCALE DRAWING	
THIRD ANGLE PROJECTION		SCALE: 1/1	

DEGSON® **DEGSON GERMANY GmbH**

REV DO-1
 SHEET 1/1