

Overview

Product information



D6B-SE-2g-PG16-21010000144

6BHoods,double levers,side entry,PG16 Thread hole

Product advantages

- Metal or high-strength plastic material, resistant to high-strength mechanical shock;
- Various installation methods and outlet directions to meet on-site wiring requirements;
- Snap-in combination structure, dustproof, waterproof, easy operation;

Product certification



Technical data

Marking

classification	Upper Housing/base
Series	B
Type	Top housing
Specification	Low structure

versions

Dimension	6B
locking Category	Single lock
Wiring method	Side entry
Thread specification	1x PG16

Material characteristics

RoHS	conform
Material (upper housing/base)	Die-cast aluminium alloy
Material(upper housing/base)	spray
Color (upper housing/base)	Grey (RAL 7037)

Technical specification

Limiting temperatures	-40°C~+125°C
IP class	IP65

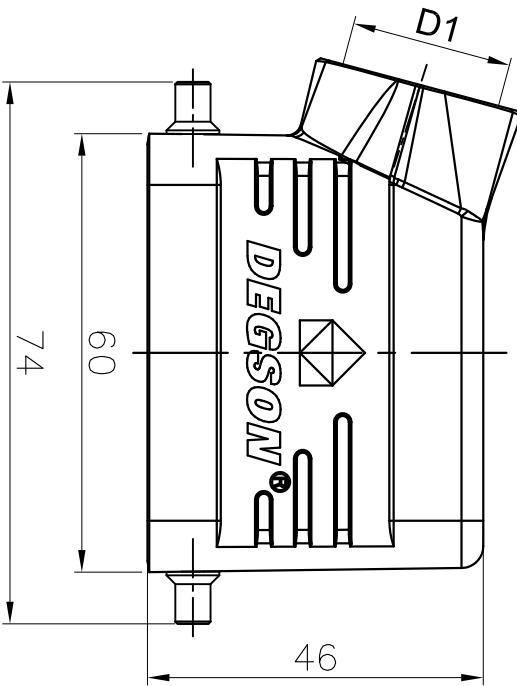
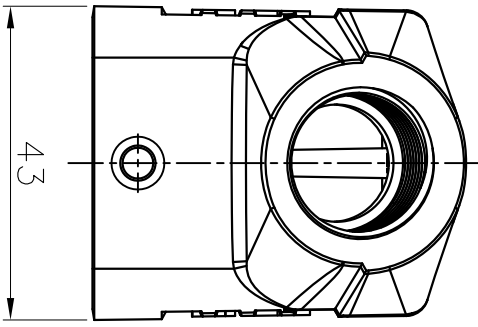
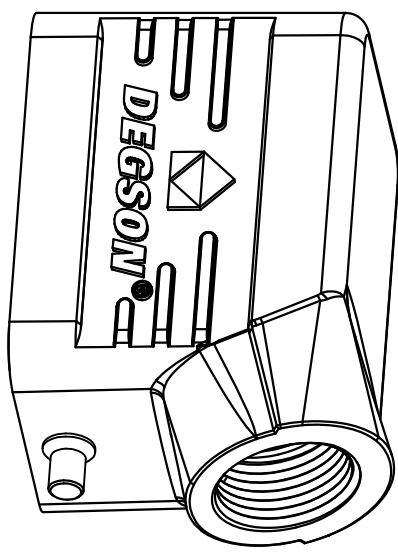
Accessories

Business data

Order number	21010000144
Packing unit	100
Minimum order quantity	1
Products weight (without packaging)	104

TYPE	Thread(D1)	Selection
D6B-SE-2g-M20	M20	
D6B-SE-2g-M25	M25	
D6B-SE-2g-PG13.5	PG13.5	
D6B-SE-2g-PG16	PG16	

REVISION RECORD				
REV	ECN	DESCRIPTION	DRFT	DATE



Hoods Feature

1. Material: aluminium die-cast
2. Surface: Powder-coated
3. Color: grey (RAL 7037)
4. Limiting temperatures: -40°C ~ +125°C
5. Flammability acc to UL94: V0
6. Degree of protection acc. to EN60529 for coupled connector: IP65
7. Rohs compliance

DETACHED LISTS			
PART NO.:	/	NAME:	DEGSON ® DEGSON GERMANY GmbH
APPD:			D6B-SE-2g-M/PG
CHKD:		TITLE:	CUSTOMER DRAWING
DRFT:	Mr. yong 2017/06/28	DRAWING NO.:	
		REV	DO-1
		SHEET	1/1
		SCALE	1:1

Overview

Product information



DE-006-M-21020000026

Heavy-duty insert, Number of contacts: 6+PE, Dimension: 6B, Rated voltage: 500V, Rated current: 16A, Male insert, Screw connector

Product advantages

- Screw connection technology, applicable to a wide range of wire specifications;
- No need special tools, easy to operate;
- Less materials, easy to manage;
- With grounding protection.

Product certification



Technical data

Marking

classification	Insert
Series	DE

versions

Connection method	Screw connection
Female/Male	Male
Dimension	6B
Number of positions	6
PE Contacts	Yes

Material characteristics

Material (insert)	Polycarbonate (PC)
Material (Contact)	Copper alloy
Surface (Contact)	Silver plated
Flammability rating	V-0
color	Grey/White (RAL 7032)
RoHS	Comply with RoHS exemptions

Electrical parameters

Rated current	16A
	500V
Rated pulse voltage	6KV
Pollution level	3
On the basis of UL /CSARated current	600V
Insulation resistance	$\geq 10000M\Omega$
Contact resistance	$\leq 1m\Omega$
Temperature range	-40°C~+125°C
working life-mating cycles	≥ 500 time
Strip length	7mm
Rated torque	0.5N.m
Conductor cross sections (mm ²)	0.75-2.5mm ²
Conductor cross sections(AWG)	18-14AWG

Standards

Connection meets standards	DIN EN 60664 DIN EN 61984
----------------------------	---------------------------

Accessories

Accessories

Screwdriver

/

Business data

Order number	21020000026
Packing unit	100
Minimum order quantity	5
Products weight (without packaging)	50.6

REVISION RECORD				
REV	ECN	DESCRIPTION	DRFT	DATE

Technical characteristics:

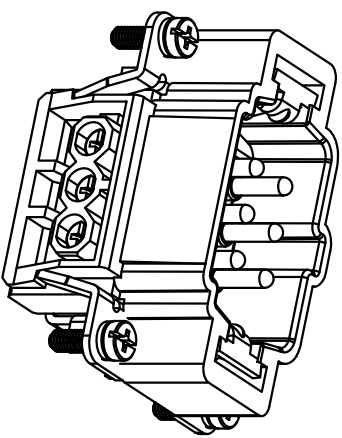
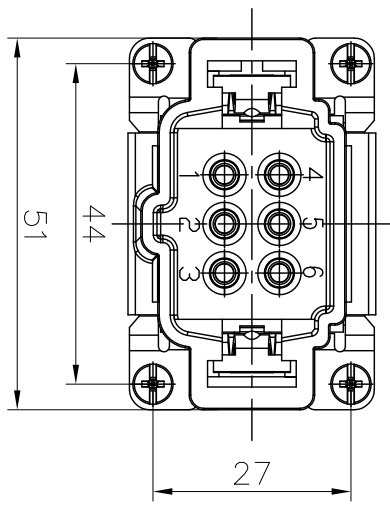
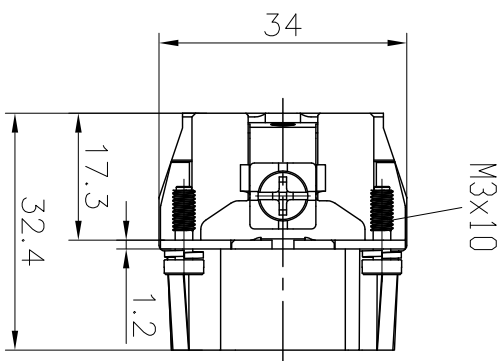
Specifications
 DIN EN 60 664-1
 DIN EN 61 984

Inserts

01. Number of contacts :6+PE
02. Rated Current :16A
03. Rated Voltage :500V
04. Pollution degree :3
05. Rated impulse voltage :6kv¹⁰
06. Insulation resistance :≥10Ω
07. Material:Polycarbonate
08. Rated voltage acc. to UL/CSA:600V
09. Limiting temperatures :-40°C~+125°C
10. Flammability acc. to UL94:V0
11. Mechanical working life (mating cycles) :≥500

Contacts

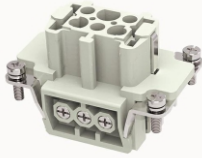
01. Material:Copper alloy
02. Surface:hard-silver plated
03. Contact resistance :≤1mΩ
04. Terminal :Screw terminal
05. Wire gauge :1.0-2.5mm² (AWG 18-14)
06. Tightening torque :0.5Nm
07. Stripping length :7.5mm
08. Rohs Compliance



DETACHED LISTS			
PART NO.:	/	NAME:	DEGSON® DEGSON GERMANY GmbH
APPD:		TITLE:	CUSTOMER DRAWING
CHKD:		DRWING NO.:	/
DRFT:	Mr. Yang 2016.08.08	DO NOT SCALE DRAWING	SCALE
THIRD ANGLE PROJECTION		SCALE	1:1

Overview

Product information



DE-006-F-21020000025

Heavy-duty insert, Number of contacts: 6+PE, Dimension: 6B, Rated voltage: 500V, Rated current: 16A, Female insert, Screw connector

Product advantages

- Screw connection technology, applicable to a wide range of wire specifications;
- No need special tools, easy to operate;
- Less materials, easy to manage;
- With grounding protection.

Product certification



Technical data

Marking

classification	Insert
Series	DE

versions

Connection method	Screw connection
Female/Male	Female
Dimension	6B
Number of positions	6
PE Contacts	Yes

Material characteristics

Material (insert)	Polycarbonate (PC)
Material (Contact)	Copper alloy
Surface (Contact)	Silver plated
Flammability rating	V-0
color	Grey/White (RAL 7032)
RoHS	Comply with RoHS exemptions

Electrical parameters

Rated current	16A
	500V
Rated pulse voltage	6KV
Pollution level	3
On the basis of UL /CSARated current	600V
Insulation resistance	$\geq 10000M\Omega$
Contact resistance	$\leq 1m\Omega$
Temperature range	-40°C~+125°C
working life-mating cycles	≥ 500 time
Strip length	7mm
Rated torque	0.5N.m
Conductor cross sections (mm ²)	0.75-2.5mm ²
Conductor cross sections(AWG)	18-14AWG

Standards

Connection meets standards	DIN EN 60664 DIN EN 61984
----------------------------	---------------------------

Accessories

Accessories

Screwdriver

/

Business data

Order number	21020000025
Packing unit	100
Minimum order quantity	5
Products weight (without packaging)	51.2

REVISION RECORD			
REV	ECN	DESCRIPTION	DRFT DATE

Technical characteristics:

Specifications

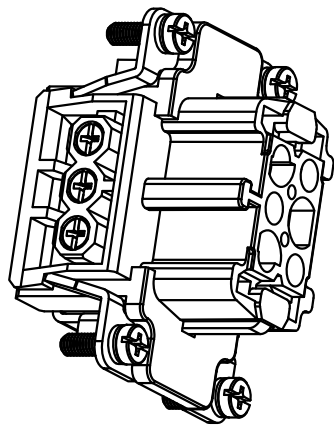
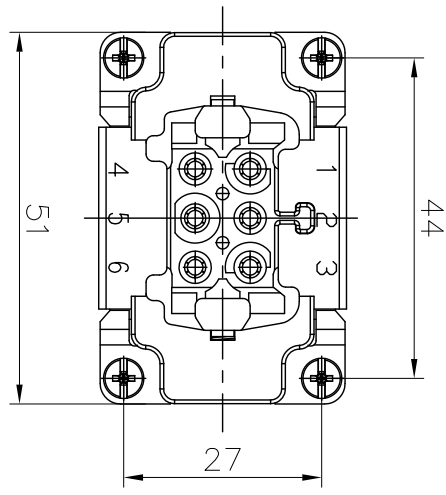
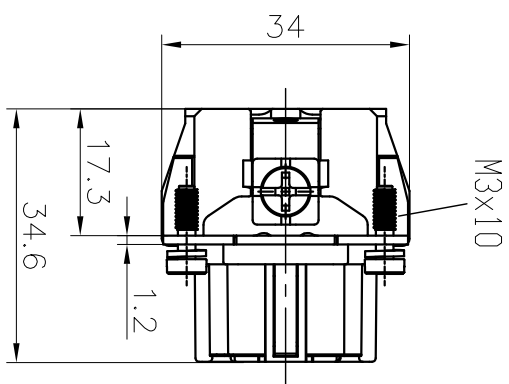
- DIN EN 60 664-1
- DIN EN 61 984

Inserts

01. Number of contacts :6+PE
02. Rated Current :16A
03. Rated Voltage :500V
04. Pollution degree :3
05. Rated impulse voltage :6kv¹⁰
06. Insulation resistance :≥10Ω
07. Material:Polycarbonate
08. Rated voltage acc. to UL/CSA:600V
09. Limiting temperatures :-40°C~+125°C
10. Flammability acc. to UL94:V0
11. Mechanical working life (mating cycles) :≥500

Contacts

01. Material:Copper alloy
02. Surface:hard-silver plated
03. Contact resistance :≤1mΩ
04. Terminal :Screw terminal
05. Wire gauge :1.0-2.5mm² (AWG 18-14)
06. Tightening torque :0.5Nm
07. Stripping length :7.5mm
08. Rohs Compliance



DETACHED LISTS			
PART NO.:	/	NAME:	DEGSON® DEGSON GERMANY GmbH
APPD:		CHKD:	DE-006-F
DRFT:	Mr. Yang 2016.08.08	TITLE:	CUSTOMER DRAWING
THIRD ANGLE PROJECTION		DRAWING NO.:	/
		DO NOT SCALE DRAWING	SCALE
			1:1

A 8 7 6 5 4 3 2 1

Overview

Product information



D6B-BK-1L-CV-21010000139

6B Lower base, single buckle, no back cover, Wear protective cover

Product advantages

- Metal or high-strength plastic material, resistant to high-strength mechanical shock;
- Various installation methods and outlet directions to meet on-site wiring requirements;
- Snap-in combination structure, dustproof, waterproof, easy operation;

Product certification



Technical data

Marking

classification	Upper Housing/base
Series	B
Type	Hole mounting base
Description	With plastic dust cover
Specification	Low structure

versions

Dimension	6B
locking Category	Single lock

Material characteristics

Flammability rating	V-0
RoHS	conform
Material (upper housing/base)	Die-cast aluminium alloy
Material(upper housing/base)	spray
Color (upper housing/base)	Grey (RAL 7037)
Material (seal)	NBR
Material (lock catch)	Zinc plated

Technical specification

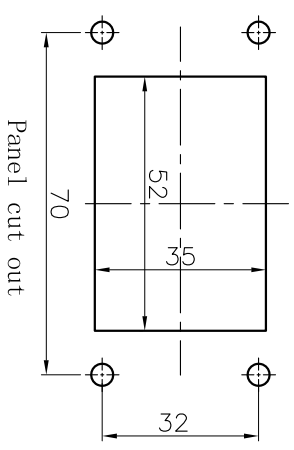
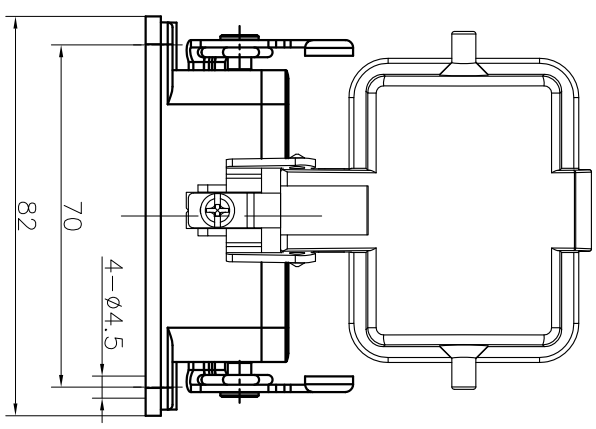
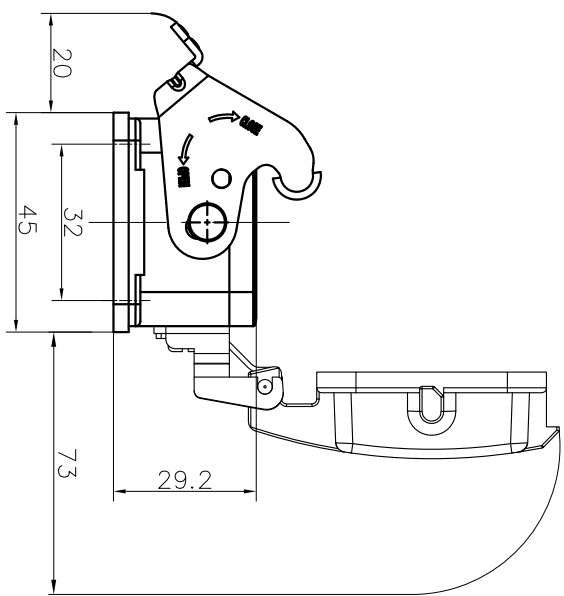
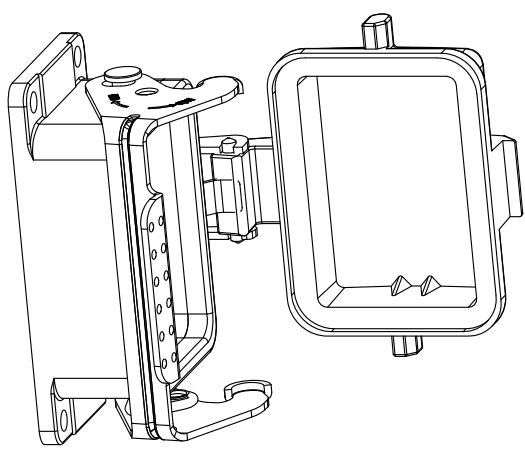
Limiting temperatures	-40°C~+125°C
IP class	IP65

Accessories

Business data

Order number	21010000139
Packing unit	100
Minimum order quantity	1
Products weight (without packaging)	115.3

REVISION RECORD			
REV	ECN	DESCRIPTION	DATE



Panel cut out

Housings Feature

- 01. Material: aluminium die-cast
- 02. Surface: Powder-coated
- 03. Color: grey (RAL 7037)
- 04. Material: Metal (Lever)
- 05. Sealing: NBR
- 06. Covers: Plastic
- 07. Limiting temperatures: -40°C ~ +125°C
- 08. Flammability acc to UL94: V0
- 09. Degree of protection acc. to EN60529 for coupled connector : IP65
- 10. Rohs compliance

DETACHED LISTS			
PART NO.:	/	NAME:	DEGSON ® DEGSON GERMANY GmbH
APPR:			D6B-BK-1L-CV
CHKD:		TITLE:	CUSTOMER DRAWING
DFT:	Mr. yong 2017/06/28	DRAWING NO.:	
		THIRD ANGLE PROJECTION	DO NOT SCALE DRAWING
		SCALE	1:1.5

A 8 7 6 5 4 3 2 1

Overview

Product information



DDL-PG16M-21030000047

PG16 Metal Cable Gland

Product advantages

- Fix cables to prevent internal wiring from being affected by pulling, swinging and other factors;
- Waterproof and dustproof, support IP68 high protection level.

Product certification



Technical data

Marking

classification	Accessories
Accessories type	cable joint

Material characteristics

RoHS	Comply with RoHS exemptions
Material (sealing element)	NBR
Material (cable connector)	Copper alloy
Material (holding ring)	NBR
Surface technics	Nickel plating

Technical specification

Limiting temperatures	-40°C~+100°C
-----------------------	--------------

IP class	IP68
Wrench specifications	24
Thread specification	PG16
Clamping range	8-14mm

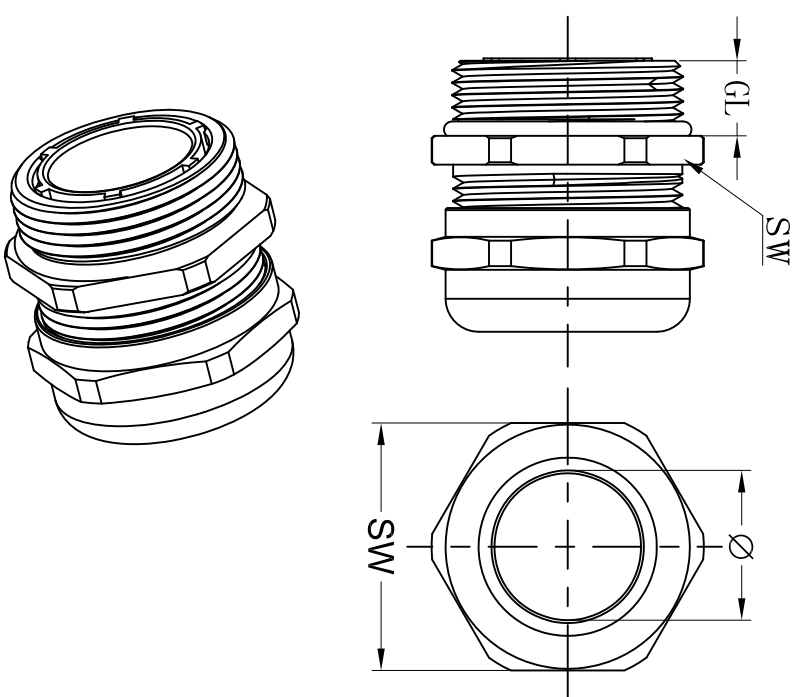
Accessories

Business data

Order number	21030000047
Packing unit	100
Minimum order quantity	5
Products weight (without packaging)	31

REVISION RECORD				
REV	ECN	DESCRIPTION	DRFT	DATE

Metric	PG	Claping range (∅)	SW	GL	Type
	Pg7	3-6.5	14	6.5	DDL-PG7M
	Pg9	4-8	17	7	DDL-PG9M
	Pg11	5-10	20	8	DDL-PG11M
	Pg13.5	6-12	22	8	DDL-PG13.5M
	Pg16	8-14	24	8	DDL-PG16M
	Pg21	13-18	30	8	DDL-PG21M
	Pg29	18-25	40	9	DDL-PG29M
	Pg36	22-32	50	10	DDL-PG36M
	Pg42	31-38	58	10	DDL-PG42M
	Pg48	37-44	64	12	DDL-PG48M
	M12x1.5	3-6.5	14	6.5	DDL-M12M
	M16x1.5	5-10	18	7	DDL-M16M
	M20x1.5	6-12	22	8	DDL-M20M
	M25x1.5	13-18	30	8	DDL-M25M
	M32x1.5	18-25	40	9	DDL-M32M
	M40x1.5	22-32	50	10	DDL-M40M
	M50x1.5	30-38	58	10	DDL-M50M
	M63x1.5	37-44	68	12	DDL-M63M



B Metal Cable gland
 Material: Brass nickel plated

C Seal Material: NBR

D Degree of protection: IP68

E Press seal material: PA

F Temperature range: -40~100°C

DETACHED LISTS			
PART NO.:	/	NAME:	DEGSON® DEGSON GERMANY GmbH
APPD:			Metal Cable gland
CHKD:			
DRFT: Mr. Yang2016.08.18	TITLE: CUSTOMER DRAWING	REV	DO-1
		SHEET	1/1
		SCALE	