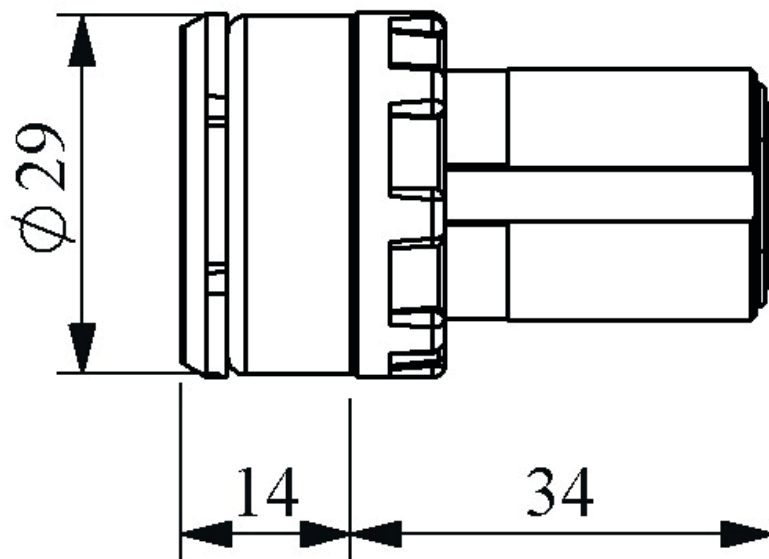




Product	USB
Type	3.0 Female Female
Dia	22 mm
Dielectric Strength (Body-Contact)	100V AC
Dielectric Strength (Contact-Contact)	100V AC
Isolation Resistance	100 MΩ
Operating Temperature	-25 / + 85 °C
Pollution Degree	3
Protection Degree	IP65
Contact Resistance	50 mΩ
Connector Type	USB-A
Plug in Force	35 N
Un-plug Force	10 N
Durability	1500
Serial	B Series Plastic
Specifications	Non-flammable V0 PA6.6
	IP65 protection from front side





Montage scale $\phi 22.4 \pm 0.2$ mm

