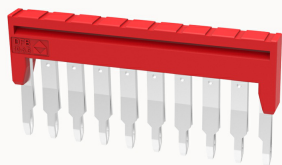


Product information

DFB10-3.5-11060000489

Bridge, Spacing: 3.5 mm · Color: red

Product advantages

- Plug-in bridge, Flexible circuit connection can be realized

Product certification

TECHNICAL DATA

Overview

Insulation Materials	PA
Flame retardant grade, in line with UL 94	V0
Number of potentials	10
color	red

Dimension

spacing	3.5mm
----------------	-------

Environmental conditions

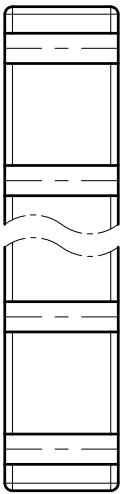
Ambient temperature (operation)	-40 °C ~ 105 °C (depending on derating curve)
Relative humidity (storage/transport)	25%~75%
Ambient temperature (storage / transport)	-25°C~60°C

Environmental protection

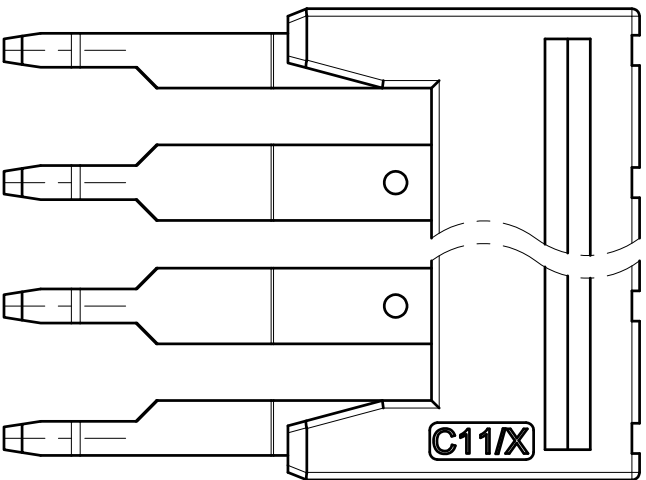
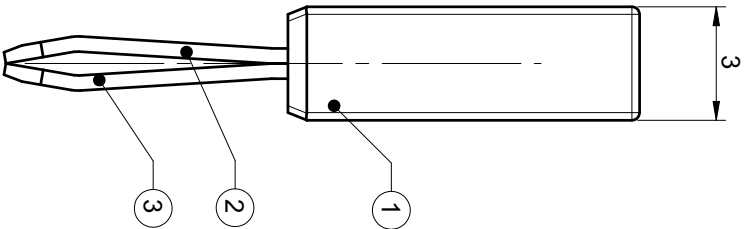
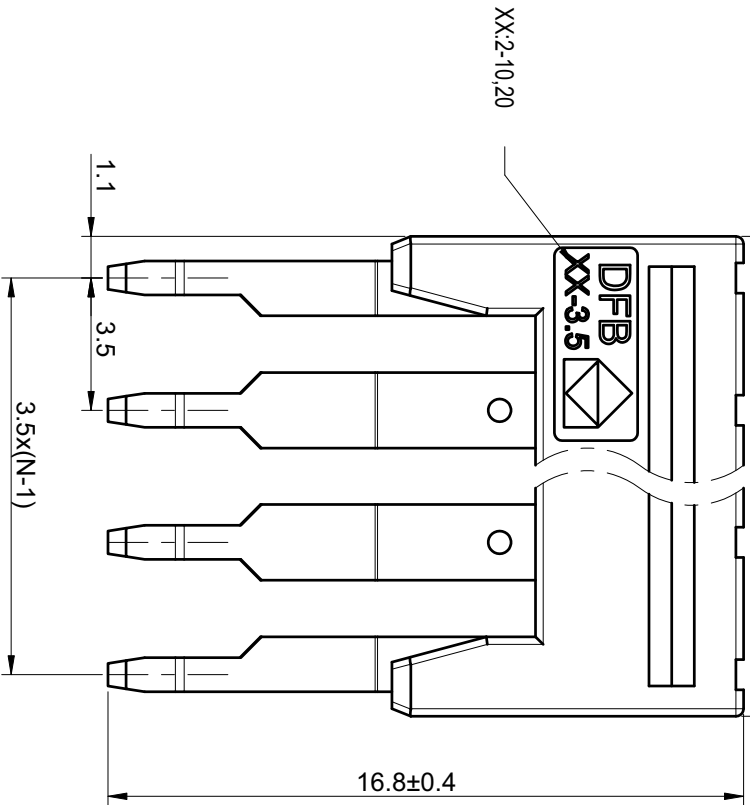
RoHS	No excessive harmful substances
REACH SVHC	Lead 7439-92-1

BUSINESS DATA

Order number	11060000489
Packing unit	100
Minimum order quantity	100
Products weight (without packaging)	2.238



3.5x(N-1)+2.2



General tolerances(mm)										0.1/10 ∠ ±2°				
0	>3	>6	>10	>18	>30	>50	>80	>120	>180		>250	>315	>400	>500
~	~	~	~	~	~	~	~	~	~	~	~	~	~	~
±0.12	±0.18	±0.22	±0.26	±0.31	±0.37	±0.57	±0.80	±0.93	±1.05	±1.15	±1.60	±2.20	±2.50	

ITEM	NAME OF PART	MATERIAL	NOTES
3	Current_carrier2	Copper	Sn_Plated
2	Current_carrier1	Copper	Sn_Plated
1	Housing	PA66	UL94V_0

Pitch(mm)/Poles: 3.5/2-10P/20P
 Operating temperature(°C): -40~+105
 RoHS: Conform to RoHS

DEGSON
 MATERIAL: SURFACE: /
 MAT NO./REV: STATUS:

APPLY: Peng M 2022.06.09
 CHKD: Gao WG 2022.06.09
 DRAFT: Huang RJ 2022.06.09
 NAME: DFBXX-3.5-1Y-00A(H)
 DRAWING NO. TYPE: CUSTOMER DRAWING
 SCALE: 5:1
 SHEET: 1/1

REV	ECN	DESCRIPTION	DRAFT	DATE
00	/	/	Huang RJ	2022.06.09

