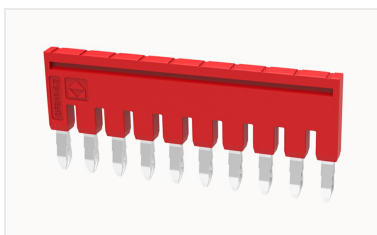


**Product information**

**DFB10-5.2-11060000380**

Bridge, Spacing: 5.2 mm · Color: red

**Product advantages**

- Plug-in bridge, Flexible circuit connection can be realized

**Product certification**

## TECHNICAL DATA

**Overview**

<b>Insulation Materials</b>	PA
<b>Flame retardant grade, in line with UL 94</b>	V0
<b>Number of potentials</b>	10
<b>color</b>	red

**Dimension**

<b>spacing</b>	5.2mm
----------------	-------

**Environmental conditions**

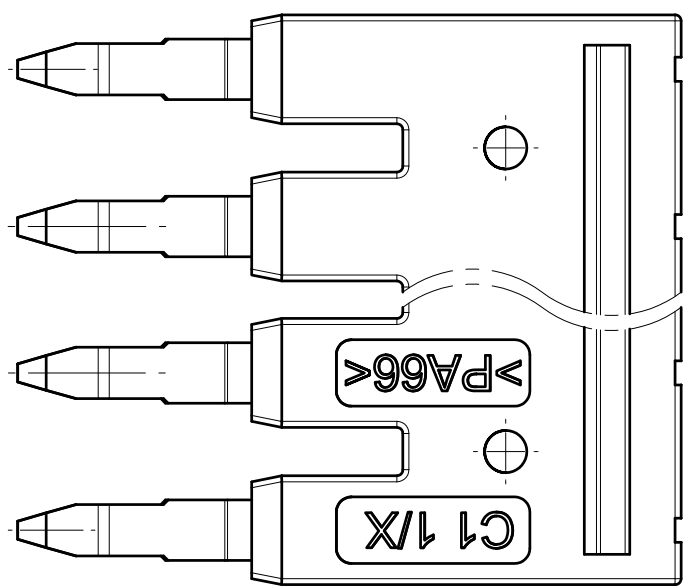
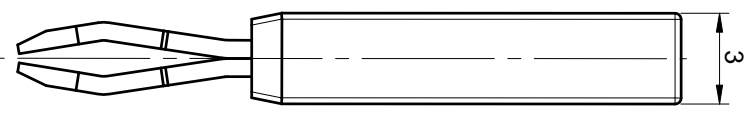
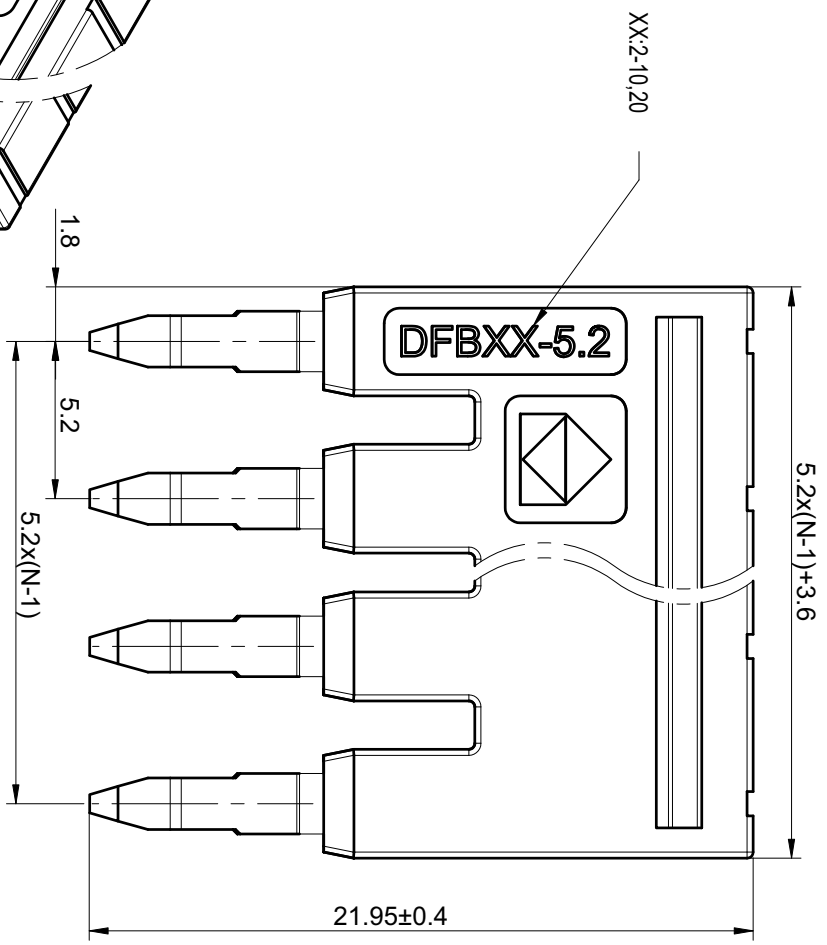
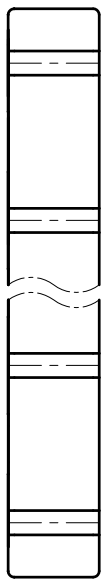
<b>Ambient temperature (operation)</b>	-40 °C ~ 105 °C ( depending on derating curve )
<b>Relative humidity (storage/transport)</b>	25%~75%
<b>Ambient temperature (storage / transport)</b>	-25°C~60°C

**Environmental protection**

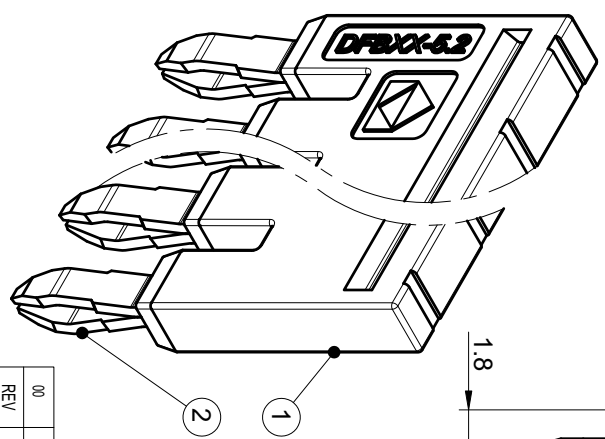
<b>RoHS</b>	No excessive harmful substances
<b>REACH SVHC</b>	Lead 7439-92-1

# BUSINESS DATA

<b>Order number</b>	11060000380
<b>Packing unit</b>	50
<b>Minimum order quantity</b>	50
<b>Products weight (without packaging)</b>	5.75



General tolerances(mm)													
0	>3	>6	>10	>18	>30	>50	>80	>120	>180	>250	>315	>400	>500
~	~	~	~	~	~	~	~	~	~	~	~	~	~
3	6	10	18	30	50	80	120	180	250	315	400	500	~800
+0.12	+0.18	+0.22	+0.26	+0.31	+0.37	+0.57	+0.80	+0.93	+1.05	+1.15	+1.60	+2.20	+2.50



REV	ECH	DESCRIPTION	DRAFT	DATE
00	/	/	Huang RJ	2022.06.15

<b>DEGSON</b>	Appr: Peng M	2022.06.15
CHKD: Gao WG	DFT: Huang RJ	2022.06.15
A4	(inch)	

ITEM	NAME OF PART	MATERIAL	NOTES
2	Current carrier	Copper	Sn_Plated
1	Housing	PA66	UL94V_0

Plating(mm)Pases  
Operating temperature(°C)  
Conform to RoHS

MATERIAL: /	SURFACE: /
MAT NO./REV: /	MAT STATUS: /

NAME  
**DFBXX-5.2-1Y-00A(H)**

TYPE	DRAWING NO.	DRAWING STATUS	SCALE	SHEET
CUSTOMER DRAWING	/		4:1	1/1