

**Product information**

**DGD160-01P-11-00(Z)-30110000046**

Screw connection, rated voltage: 690V, rated current: 160A, connection quantity: 1, wiring capacity: incoming wire (6-70) mm<sup>2</sup>, outgoing wire (2.5-16) mm<sup>2</sup>, AWG: 26~12 (load), width: 28mm, color: blue and white, installation method: NS35/7.5

**Product advantages**

- Compact design
- Multi potential distribution
- Easy installation

**Product certification**

## TECHNICAL DATA

**Overview**

Number of rows	1
Insulation Materials	PA
Flame retardant grade, in line with UL 94	V0
Insulating material group	I
standard test	IEC60947-7-1
Connection method	screw connection

**Dimension**

width	28mm
Height	48mm
NS 35/7,5 Height	49.2mm
NS 35/15 Height	56.7mm
lettering field size	3.5X10.15mm

## Wiring data

<b>Conductor cross section solid</b>	Input:(6-70)mm <sup>2</sup> Output:(2.5-16)mm <sup>2</sup>
<b>Conductor cross section flexible</b>	Input:(6-70)mm <sup>2</sup> Output:(2.5-16)mm <sup>2</sup>
<b>Conductor cross section flexible (ferrule without plastic sleeve)</b>	Input:(6-70)mm <sup>2</sup> Output:(2.5-16)mm <sup>2</sup>
<b>Conductor cross section flexible (ferrule with plastic sleeve)</b>	Input:(6-70)mm <sup>2</sup> Output:(2.5-16)mm <sup>2</sup>
<b>2 flexible conductors with a TWIN ferrule</b>	Input:(6-70)mm <sup>2</sup> Output:(2.5-16)mm <sup>2</sup>

## IEC Electrical parameters

<b>Rated surge voltage</b>	3V
<b>Rated voltage(III/3)</b>	690V

## Environmental conditions

<b>Ambient temperature (operation)</b>	-40 °C ~ 85 °C
--	----------------

## Mechanical performance test

<b>Mechanical strength</b>	Passed the test
<b>Fixing support</b>	Passed the test
<b>Rotational Pull Test</b>	Passed the test

## Electrical performance test

<b>Voltage drop</b>	≤3.2mV
<b>Temperature rise test</b>	≤45 K

## Environmental protection

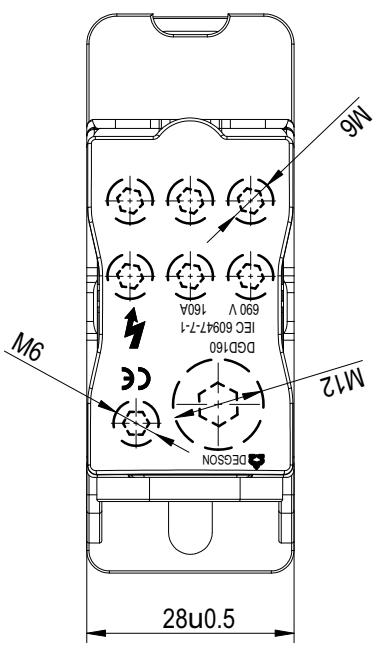
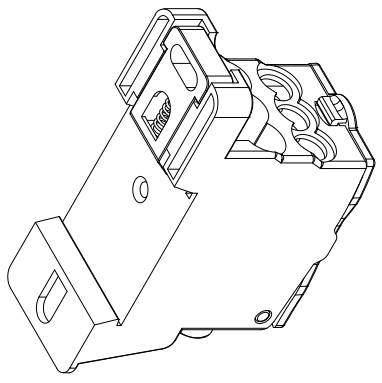
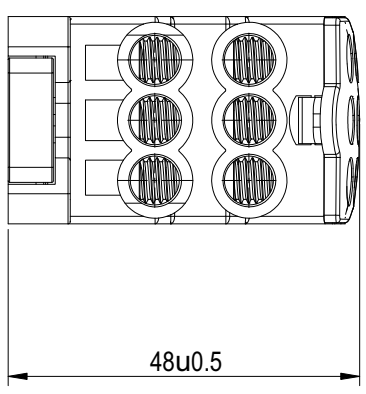
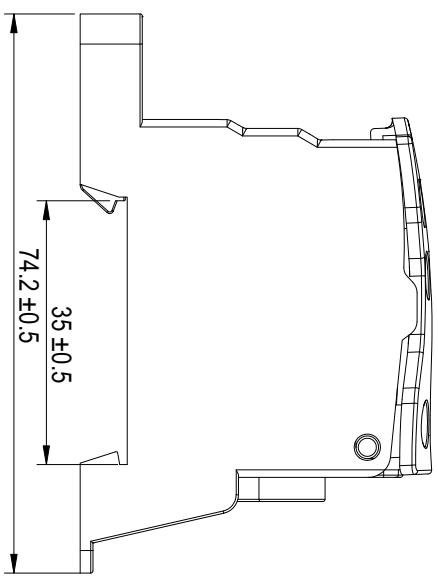
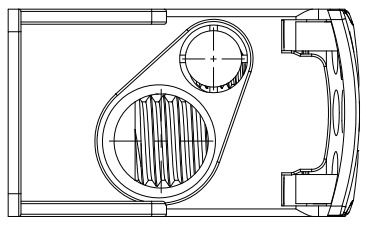
<b>RoHS</b>	No excessive harmful substances
-------------	---------------------------------

## Electrical parameters

<b>Strip length</b>	9.0mm
---------------------	-------

## BUSINESS DATA

<b>Order number</b>	30110000046
<b>Packing unit</b>	
<b>Minimum order quantity</b>	
<b>Products weight (without packaging)</b>	



General tolerances(mm)	
0	>3
3	~6
+0.12	+0.18
	+0.22
	+0.26
	+0.31
	+0.37
	+0.57
	+0.80
	+0.93
	+1.05
	+1.15
	+1.60
	+2.20
	+2.50
	+4.00
	+8.00
0.1/1.0	
±2°	

<b>DEGSON</b>		MATERIAL:		SURFACE/COLOR:	
APPD	2024.06.05	MAT NO./REV:	30110000046-1 / 01	MAT STATUS:	
CHKD	2024.06.05	NAME			
DRFT	2024.06.05	DGD160-01P-11-00A(H)			
REV	00	ECN		TYPE	CUSTOMER DRAWING
DESCRIPTION		DRFT	DATE	DRAWING STATUS	SCALE
New Product		2024.06.05		2.1	SHEET
					1/1

D

C

B

A