

Product information

DGD250-01P-11-00(Z)-30110000051

Screw connection, rated voltage: 690V, rated current: 250A, connection capacity: 1, wiring capacity: incoming line (35-120) mm², outgoing line (6-35)/(2.5-16)/(2.5-10) mm², width: 47.5mm, color: blue and white, installation method: NS35/7.5

Product advantages

- Compact design
- Multi potential distribution
- Easy installation

Product certification

TECHNICAL DATA

Overview

Number of rows	1
Insulation Materials	PA
Flame retardant grade, in line with UL 94	V0
Insulating material group	I
standard test	IEC60947-7-1
Connection method	screw connection

Dimension

width	28mm
Height	48mm
NS 35/7,5 Height	49.2mm
NS 35/15 Height	56.7mm
lettering field size	3.65X10.7mm

Wiring data

Conductor cross section solid	Input:(35-120)mm ² Output:(6-35)/(2.5-16)/(2.5-10)mm ²
Conductor cross section flexible	Input:(35-120)mm ² Output:(6-35)/(2.5-16)/(2.5-10)mm ²
Conductor cross section flexible (ferrule without plastic sleeve)	Input:(35-120)mm ² Output:(6-35)/(2.5-16)/(2.5-10)mm ²
Conductor cross section flexible (ferrule with plastic sleeve)	Input:(35-120)mm ² Output:(6-35)/(2.5-16)/(2.5-10)mm ²
2 flexible conductors with a TWIN ferrule	Input:(35-120)mm ² Output:(6-35)/(2.5-16)/(2.5-10)mm ²

IEC Electrical parameters

Rated surge voltage	3V
Rated voltage(III/3)	690V

Environmental conditions

Ambient temperature (operation)	-40 °C ~ 85 °C
--	----------------

Mechanical performance test

Mechanical strength	Passed the test
Fixing support	Passed the test
Rotational Pull Test	Passed the test

Electrical performance test

Voltage drop	≤3.2mV
Temperature rise test	≤45 K

Environmental protection

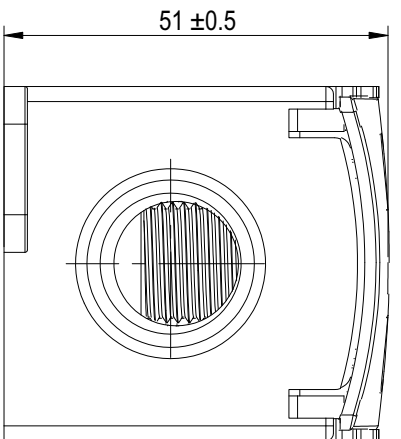
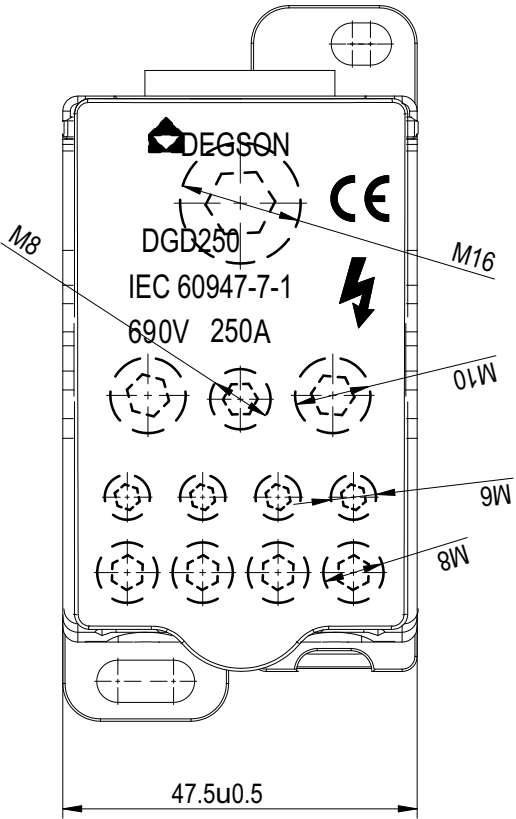
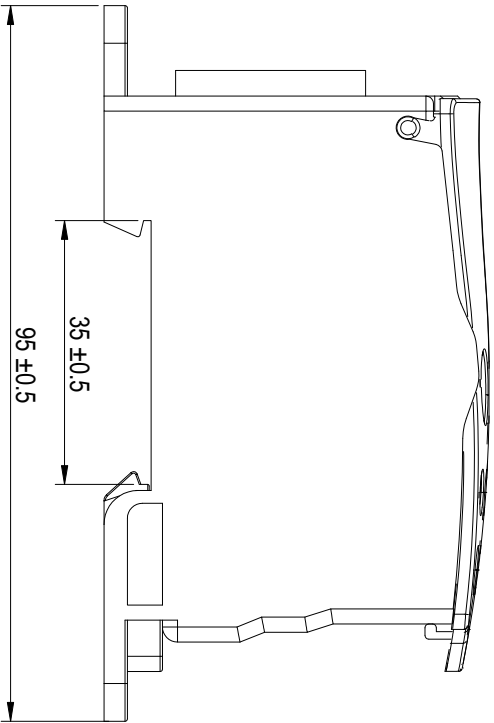
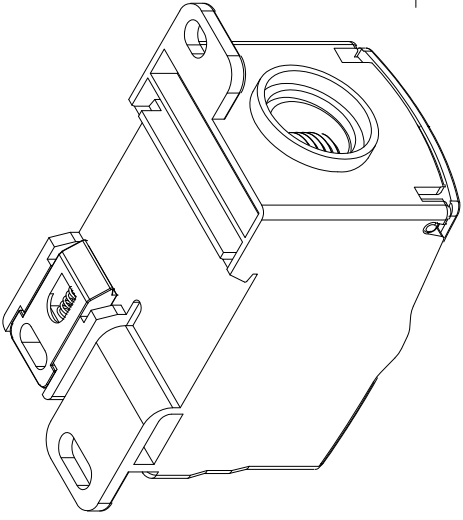
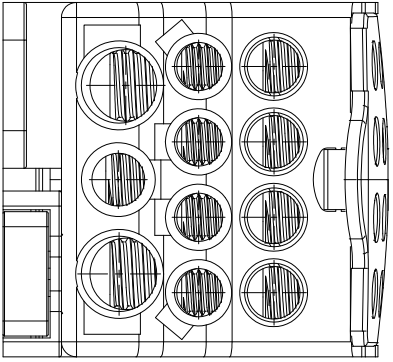
RoHS	No excessive harmful substances
-------------	---------------------------------

Electrical parameters

Strip length	9.0mm
---------------------	-------

BUSINESS DATA

Order number	30110000051
Packing unit	
Minimum order quantity	
Products weight (without packaging)	



General (tolerances in mm)	
0	>3
3	>6
6	>10
10	>18
18	>30
30	>50
50	>80
80	>120
120	>180
180	>250
250	>315
315	>400
400	>500
500	>630
630	>800
800	>1000
1000	>1250
1250	>1600
1600	>2000
2000	>2500
2500	>3150
3150	>4000
4000	>5000
5000	>6300
6300	>8000
8000	>10000
10000	>12500
12500	>16000
16000	>20000
20000	>25000
25000	>31500
31500	>40000
40000	>50000
50000	>63000
63000	>80000
80000	>100000
100000	>125000
125000	>160000
160000	>200000
200000	>250000
250000	>315000
315000	>400000
400000	>500000
500000	>630000
630000	>800000
800000	>1000000
1000000	>1250000
1250000	>1600000
1600000	>2000000
2000000	>2500000
2500000	>3150000
3150000	>4000000
4000000	>5000000
5000000	>6300000
6300000	>8000000
8000000	>10000000
10000000	>12500000
12500000	>16000000
16000000	>20000000
20000000	>25000000
25000000	>31500000
31500000	>40000000
40000000	>50000000
50000000	>63000000
63000000	>80000000
80000000	>100000000
100000000	>125000000
125000000	>160000000
160000000	>200000000
200000000	>250000000
250000000	>315000000
315000000	>400000000
400000000	>500000000
500000000	>630000000
630000000	>800000000
800000000	>1000000000
1000000000	>1250000000
1250000000	>1600000000
1600000000	>2000000000
2000000000	>2500000000
2500000000	>3150000000
3150000000	>4000000000
4000000000	>5000000000
5000000000	>6300000000
6300000000	>8000000000
8000000000	>10000000000
10000000000	>12500000000
12500000000	>16000000000
16000000000	>20000000000
20000000000	>25000000000
25000000000	>31500000000
31500000000	>40000000000
40000000000	>50000000000
50000000000	>63000000000
63000000000	>80000000000
80000000000	>100000000000
100000000000	>125000000000
125000000000	>160000000000
160000000000	>200000000000
200000000000	>250000000000
250000000000	>315000000000
315000000000	>400000000000
400000000000	>500000000000
500000000000	>630000000000
630000000000	>800000000000
800000000000	>1000000000000
1000000000000	>1250000000000
1250000000000	>1600000000000
1600000000000	>2000000000000
2000000000000	>2500000000000
2500000000000	>3150000000000
3150000000000	>4000000000000
4000000000000	>5000000000000
5000000000000	>6300000000000
6300000000000	>8000000000000
8000000000000	>10000000000000
10000000000000	>12500000000000
12500000000000	>16000000000000
16000000000000	>20000000000000
20000000000000	>25000000000000
25000000000000	>31500000000000
31500000000000	>40000000000000
40000000000000	>50000000000000
50000000000000	>63000000000000
63000000000000	>80000000000000
80000000000000	>100000000000000
100000000000000	>125000000000000
125000000000000	>160000000000000
160000000000000	>200000000000000
200000000000000	>250000000000000
250000000000000	>315000000000000
315000000000000	>400000000000000
400000000000000	>500000000000000
500000000000000	>630000000000000
630000000000000	>800000000000000
800000000000000	>1000000000000000
1000000000000000	>1250000000000000
1250000000000000	>1600000000000000
1600000000000000	>2000000000000000
2000000000000000	>2500000000000000
2500000000000000	>3150000000000000
3150000000000000	>4000000000000000
4000000000000000	>5000000000000000
5000000000000000	>6300000000000000
6300000000000000	>8000000000000000
8000000000000000	>10000000000000000
10000000000000000	>12500000000000000
12500000000000000	>16000000000000000
16000000000000000	>20000000000000000
20000000000000000	>25000000000000000
25000000000000000	>31500000000000000
31500000000000000	>40000000000000000
40000000000000000	>50000000000000000
50000000000000000	>63000000000000000
63000000000000000	>80000000000000000
80000000000000000	>100000000000000000
100000000000000000	>125000000000000000
125000000000000000	>160000000000000000
160000000000000000	>200000000000000000
200000000000000000	>250000000000000000
250000000000000000	>315000000000000000
315000000000000000	>400000000000000000
400000000000000000	>500000000000000000
500000000000000000	>630000000000000000
630000000000000000	>800000000000000000
800000000000000000	>1000000000000000000
1000000000000000000	>1250000000000000000
1250000000000000000	>1600000000000000000
1600000000000000000	>2000000000000000000
2000000000000000000	>2500000000000000000
2500000000000000000	>3150000000000000000
3150000000000000000	>4000000000000000000
4000000000000000000	>5000000000000000000
5000000000000000000	>6300000000000000000
6300000000000000000	>8000000000000000000
8000000000000000000	>10000000000000000000
10000000000000000000	>12500000000000000000
12500000000000000000	>16000000000000000000
16000000000000000000	>20000000000000000000
20000000000000000000	>25000000000000000000
25000000000000000000	>31500000000000000000
31500000000000000000	>40000000000000000000
40000000000000000000	>50000000000000000000
50000000000000000000	>63000000000000000000
63000000000000000000	>80000000000000000000
80000000000000000000	>100000000000000000000
100000000000000000000	>125000000000000000000
125000000000000000000	>160000000000000000000
160000000000000000000	>200000000000000000000
200000000000000000000	>250000000000000000000
250000000000000000000	>315000000000000000000
315000000000000000000	>400000000000000000000
400000000000000000000	>500000000000000000000
500000000000000000000	>630000000000000000000
630000000000000000000	>800000000000000000000
800000000000000000000	>1000000000000000000000
1000000000000000000000	>1250000000000000000000
1250000000000000000000	>1600000000000000000000
1600000000000000000000	>2000000000000000000000
2000000000000000000000	>2500000000000000000000
2500000000000000000000	>3150000000000000000000
3150000000000000000000	>4000000000000000000000
4000000000000000000000	>5000000000000000000000
5000000000000000000000	>6300000000000000000000
6300000000000000000000	>8000000000000000000000
8000000000000000000000	>10000000000000000000000
10000000000000000000000	>12500000000000000000000
12500000000000000000000	>16000000000000000000000
16000000000000000000000	>20000000000000000000000
20000000000000000000000	>25000000000000000000000
25000000000000000000000	>31500000000000000000000
31500000000000000000000	>40000000000000000000000
40000000000000000000000	>50000000000000000000000
50000000000000000000000	>63000000000000000000000
63000000000000000000000	>80000000000000000000000
80000000000000000000000	>100000000000000000000000
100000000000000000000000	>125000000000000000000000
125000000000000000000000	>160000000000000000000000
160000000000000000000000	>200000000000000000000000
200000000000000000000000	>250000000000000000000000
250000000000000000000000	>315000000000000000000000
315000000000000000000000	>400000000000000000000000
400000000000000000000000	>500000000000000000000000
500000000000000000000000	>630000000000000000000000
630000000000000000000000	>800000000000000000000000
800000000000000000000000	>1000000000000000000000000
1000000000000000000000000	>1250000000000000000000000
1250000000000000000000000	>1600000000000000000000000
1600000000000000000000000	>2000000000000000000000000
2000000000000000000000000	>2500000000000000000000000
2500000000000000000000000	>3150000000000000000000000
3150000000000000000000000	>4000000000000000000000000
4000000000000000000000000	>5000000000000000000000000
5000000000000000000000000	>6300000000000000000000000
6300000000000000000000000	>8000000000000000000000000
8000000000000000000000000	>10000000000000000000000000
10000000000000000000000000	>12500000000000000000000000
12500000000000000000000000	>16000000000000000000000000
16000000000000000000000000	>20000000000000000000000000
20000000000000000000000000	>25000000000000000000000000
25000000000000000000000000	>31500000000000000000000000
31500000000000000000000000	>4000000000000000