

Product information



DGD80-01P-11-00(Z)-30110000050

Screw connection, rated voltage: 690V, rated current: 80A, connection capacity: 1, wiring capacity: incoming line (6-16) mm², outgoing line (2.56)/(2.5-16) mm², width: 28mm, color: blue and white, installation method: NS35/7.5

Product advantages

- Compact design
- Multi potential distribution
- Easy installation

Product certification

TECHNICAL DATA

Overview

Number of rows	1
Insulation Materials	PA
Flame retardant grade, in line with UL 94	V0
Insulating material group	I
standard test	IEC60947-7-1
Connection method	screw connection

Dimension

width	28mm
Height	48mm
NS 35/7,5 Height	49.2mm
NS 35/15 Height	56.7mm

Wiring data

Conductor cross section solid	Input:(6-16)mm ² Output:(2.5-6)/(2.5-16)mm ²
Conductor cross section flexible	Input:(6-16)mm ² Output:(2.5-6)/(2.5-16)mm ²
Conductor cross section flexible (ferrule without plastic sleeve)	Input:(6-16)mm ² Output:(2.5-6)/(2.5-16)mm ²
Conductor cross section flexible (ferrule with plastic sleeve)	Input:(6-16)mm ² Output:(2.5-6)/(2.5-16)mm ²
2 flexible conductors with a TWIN ferrule	Input:(6-16)mm ² Output:(2.5-6)/(2.5-16)mm ²

IEC Electrical parameters

Rated current (III / 3)	80A
Rated surge voltage	3V
Rated voltage(III/3)	690V

Environmental conditions

Ambient temperature (operation)	-40 °C ~ 85 °C
----------------------------------------	----------------

Mechanical performance test

Mechanical strength	Passed the test
Fixing support	Passed the test
Rotational Pull Test	Passed the test

Electrical performance test

Voltage drop	≤3.2mV
Temperature rise test	≤45 K

Environmental protection

RoHS	No excessive harmful substances
-------------	---------------------------------

Electrical parameters

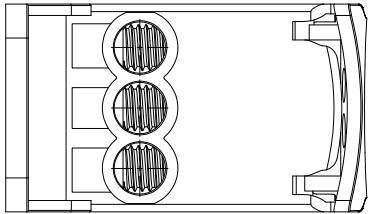
Strip length	9.0mm
---------------------	-------

BUSINESS DATA

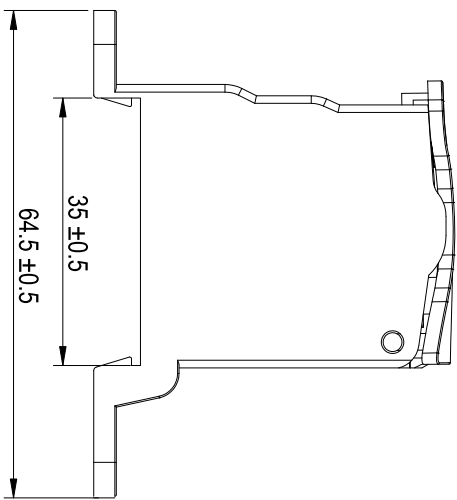
Order number	30110000050
Packing unit	
Minimum order quantity	
Products weight (without packaging)	

General tolerances(mm)		D 0.1/10 Z ±2°
0	>3	
3	6	
±0.12	±0.18	
>6	>10	
±0.22	±0.26	
>18	>30	
±0.31	±0.37	
>50	>80	
±0.57	±0.80	
>120	>180	
±1.05	±1.15	
>250	>315	
±1.60	±2.20	
>400	>500	
±2.50		

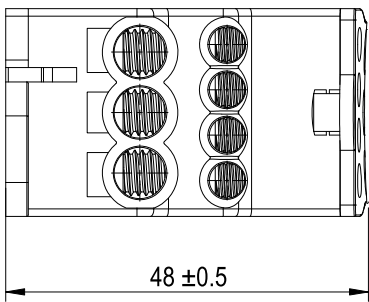
2



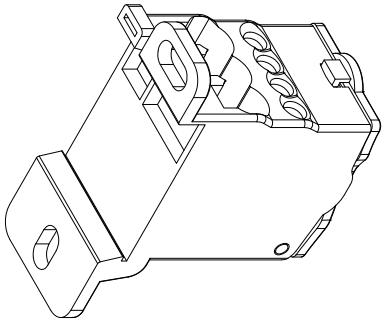
3



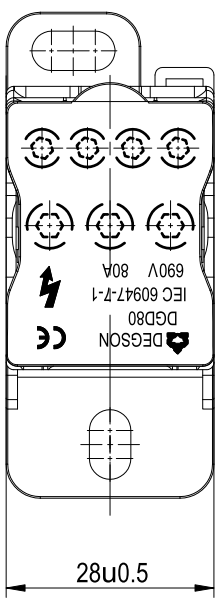
4



5



6



28±0.5

1

2

3

4

5

6

00	REV	ECN	DESCRIPTION	DRFT	DATE
			New Product	<input type="checkbox"/> 草稿	2024.06.05

DEGSON		MATERIAL:	SURFACE COLOR:	
APPD	2024.06.05	MAT NO./REV:	30110000050-1 / 01	
CHKD	2024.06.05	NAME	DGD80-01P-11-00A&Z(H)	
DRFT	2024.06.05	DRAWING NO.	200253561	
	A4	TYPE	CUSTOMER DRAWING	
	MM (Inch)	DRAWING STATUS	DRAWING STATUS	
		SCALE	2:1	
		SHEET	1/1	

D

C

B

A