

## Product information



### **NS35/15-2000-00A(H)-92113900187**

Item number: 92113900187

DIN rail, Hole15×6.2mm, Size35×15mm, Steel, Galvanized

## Product advantages

- ☑ NS35/15 Standard DIN rail
- ☑ Customize the length according to customer requirements.

## Product certification

# TECHNICAL DATA

## Overview

Conductor material	steel
coating	Galvanized

## Dimension

width	35mm
length	2000mm
high	15mm
Positioning hole width	6.2mm
Positioning hole length	15mm
Distance between adjacent positioning holes	25mm

## Environmental conditions

Relative humidity (storage/transport)	25%~75%
Ambient temperature	-40°C...105°C

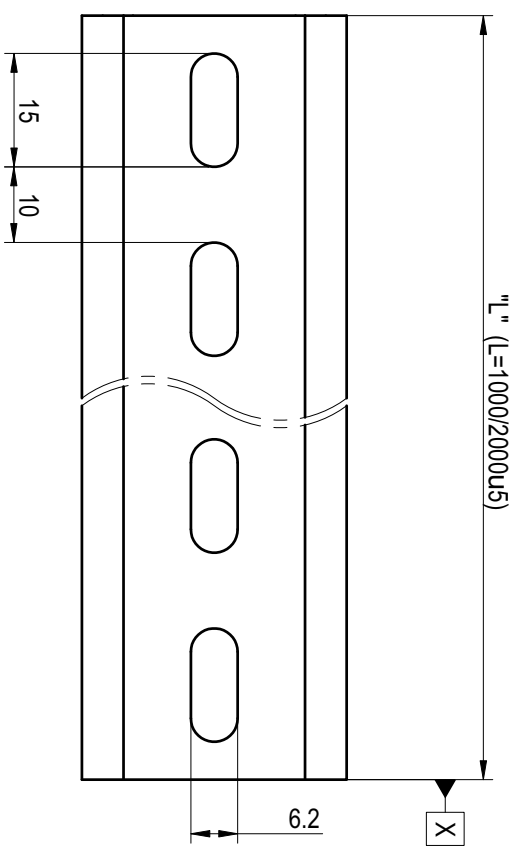
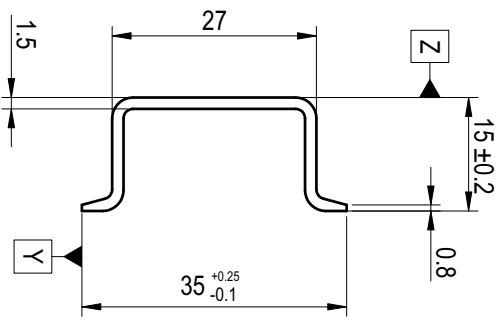
## Environmental protection

RoHS	No excessive harmful substances
REACH SVHC	Lead 7439-92-1

## BUSINESS DATA

Order number	92113900187
Packing unit	20
Minimum order quantity	20
Products weight (without packaging)	620

mm	Pitch range in		Nominal dimension range		- /	/			
	Over	Under	In	mm			Over	Under	
6	TO	TO	TO	TO	30	TO	150	0.1/10	≤
10	TO	TO	24	30	60	100	150		
±0.15	±0.20	±0.30	±0.30	±0.50	±0.70	±1.00	±1.30	±2°	



(Part Name)	L (Length)
NS35/15-1000-00A (H)	1000mm
NS35/15-2000-00A (H)	2000mm

Dimensions comply with standards  
 Key controlled symbol \*  
 Conforms to RoHS Yes



MATERIAL/Steel  
 SURFACE/COLOR/  
 MAT NO./REV: /  
 MAT STATUS: /

NAME  
**NS35/15-X000-00A(H)**

APPD	Peng M	2022.06.10	CHKD	Gao WG	2022.06.10	DRFT	Liu Y	2022.06.10	DRFT	Liu Y	2022.06.10
REV	00	/	ECN	/		DESCRIPTION	/				
DRAWING NO.	/		TYPE	CUSTOMER DRAWING		DRAWING STATUS	/		SCALE	2:1	
SHEET	/		/		/		/		/		1/1